

Qik Fix 5 Installation Guide

wall bracket for speakers up to 5kg

features

The Qik Fix 5 is a tilt adjustable loudspeaker bracket featuring glass reinforced nylon construction for strength and durability.

It is ideally suited to the Krix Brix loudspeaker, but may be attached to almost any loudspeaker weighing less than 5kg.

specifications

Maximum loudspeaker weight	5kg
Vertical tilt range	+15 -20°
Horizontal tilt range	180°
Colour	black



CAUTION:

Drilling into anything can be dangerous. You should make sure you know what is behind or inside the surface that you are drilling **before** you start to drill. For example, you might strike an electricity cable.

You must use appropriate fixings for the surface that you are fixing to. If you don't, injury or damage may occur.

Each bracket is rated to carry a weight of up to 5kg only.

If you do not feel entirely confident about installing this product, contact a professional installer.

Disclaimer

To the extent permissible by law:

1. All warranties, conditions, representations, promises and statements relating howsoever to this product whether express or implied and whether in contract or tort are excluded to the extent permitted by law; and
2. Our liability to you under a condition or warranty (if any) implied into this sale and purchase agreement relating to these brackets by the Trade Practices Act 1974 (as amended) or any other law (whether a law of Australia or any other country) other than a condition implied by Section 69 of the said Act is limited at our option to:
 - the replacement of the product; or
 - the supply of an equivalent product; or
 - the repair of the product.

If you do not accept the above conditions, return these brackets (in their original packaging) with proof of purchase for a full refund.

before you begin

- Select the desired position for mounting the loudspeaker on the wall.
- Select the desired position and orientation for mounting the bracket on the loudspeaker enclosure. [See Mounting Orientations Fig 1-2]



Performing a 'dry-run' is recommend to ensure the bracket will provide the desired tilt angle on the wall. [Fig 3-8 overleaf]



To avoid injury or damage ensure that the fasteners used to attach the bracket to the wall will not interfere with any electrical wiring, plumbing, etc, behind the mounting surface.



For non Krix loudspeakers: ensure that the drilling of pilot holes to fasten the mounting plate will not interfere with components inside your loudspeaker enclosure.

The mounting screws supplied for attaching brackets to the speaker are designed for use with 12mm or thicker MDF. If your speaker enclosure material differs, alternate fasteners may be required.

- Select wall anchors appropriate for the desired mounting surface and speaker weight. Wall anchor size **must** fit through 5mm bracket mounting holes. Two wall anchors are required per bracket assembly.

mounting orientation A

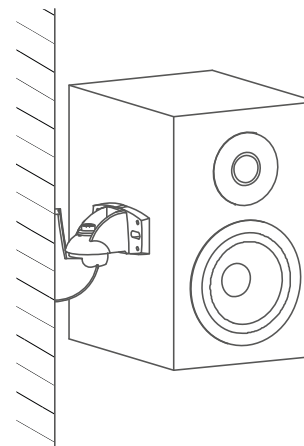
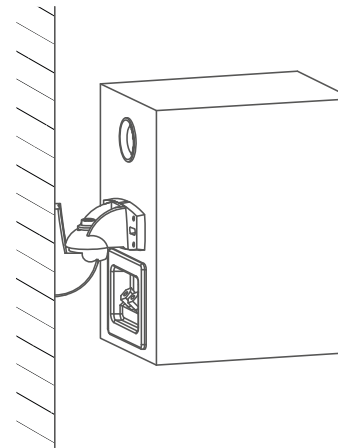
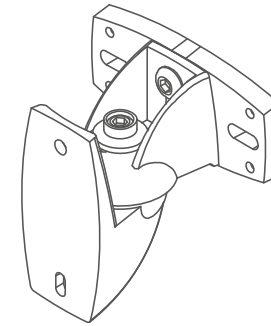


Fig 1.

mounting orientation B

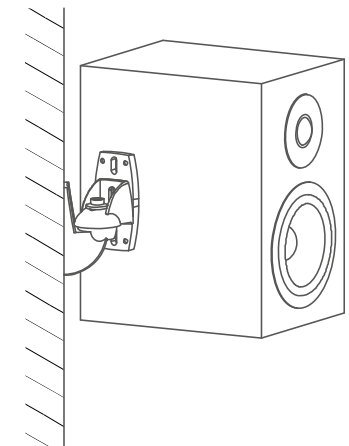
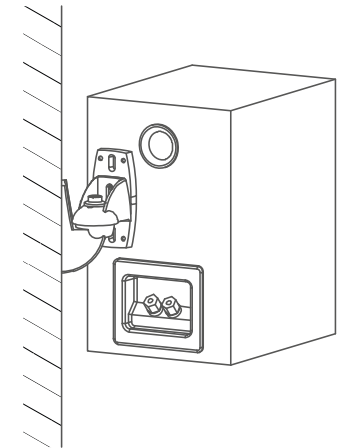
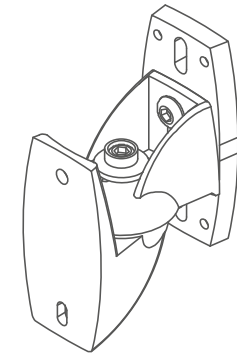


Fig 2.

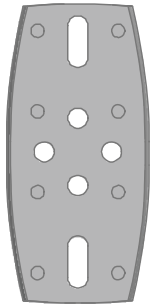
tools required

- Electric drill
- 4 x Wall anchors, suitable for wall material (wall anchor **must** fit through 5mm bracket mounting holes)
- Drill bit, size to suit wall anchor
- Phillips screwdriver, medium size (or bit for drill)

You also may require:

- vice grips or pliers

parts supplied



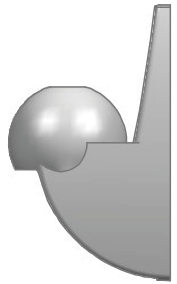
2x mounting plate



2x socket joint piece



2x bolt and washer assembly



2x ball joint piece



2x short bolt



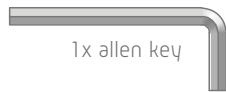
2x nut



4x self tapping wood screw



1x 2.5mm drill



1x allen key

installation



To avoid injury or damage use appropriate protection equipment wherever necessary e.g. eye protection, gloves, etc.

- Check for pilot holes on your speaker enclosure at the desired location to accommodate the mounting plate. If new pilot holes are needed, use the mounting plate as a template to carefully mark out and drill two new pilot holes, using 2.5mm drill bit supplied. (Fig 3.)
- Push the socket joint piece into the mounting plate in the desired orientation (Fig 1-2 overleaf). Bolt pieces together using the short bolt and nut. Tighten using allen key supplied. (Fig 4.)
- Place mounting plate and socket on speaker in the desired position (Fig 1-2 overleaf). Align with pilot holes, insert self tapping wood screws, and tighten until plate is secure. Avoid over-tightening. (Fig 5.)
- Using ball joint piece as a template, mark out two holes on wall. Remove ball joint piece and drill into mounting surface using a drill bit appropriate for the selected wall anchors. (Fig 6.)
- Attach ball joint piece to wall using wall anchors.
- Lower the socket piece attached to the speaker onto the ball joint. Insert bolt and washer into joint and turn with allen key, but do not fully tighten. (Fig 7.)
- Orientate and hold speaker at desired angle.
- Insert allen key and tighten. To firmly clamp ball and socket together the use of vice grips or pliers may be required to turn allen key. (Fig 8.)

Congratulations!
Installation is now complete.

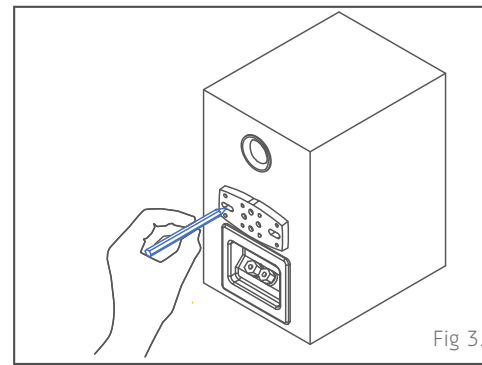


Fig 3.

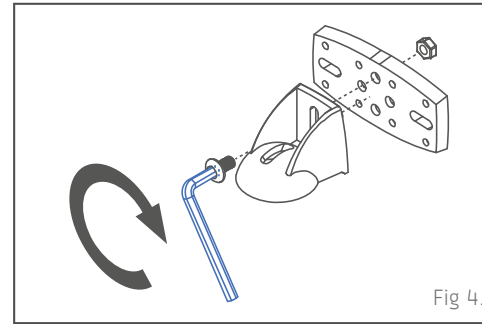


Fig 4.

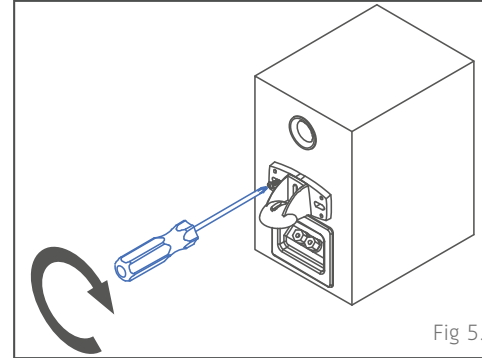


Fig 5.

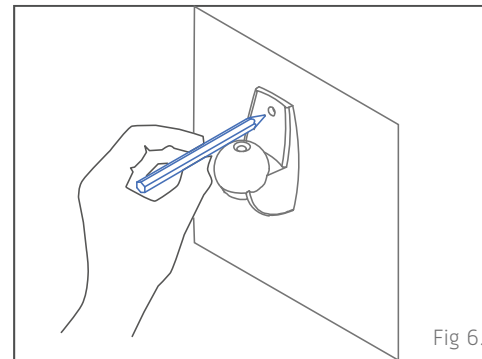


Fig 6.

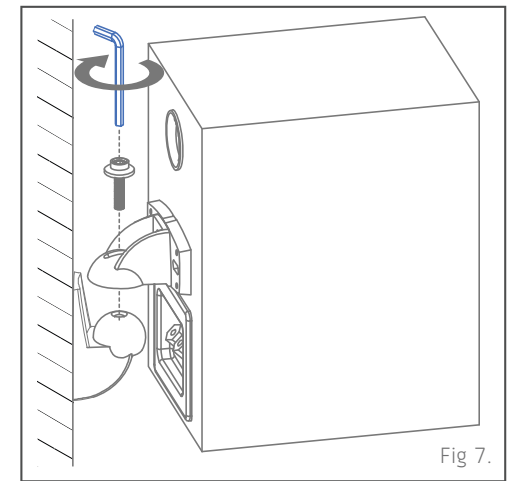


Fig 7.

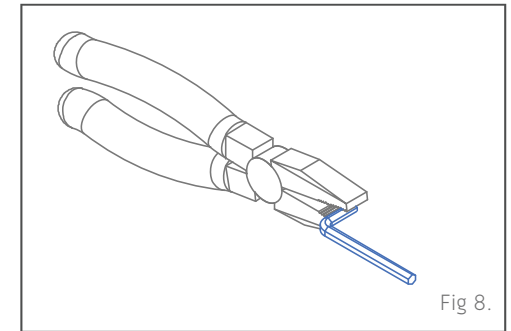


Fig 8.

Krix Loudspeakers Pty Ltd
14 Chapman Road
Hackham SA 5163
Australia

T 61 8 8384 3433
F 61 8 8384 3419
listen@krix.com

krix.com