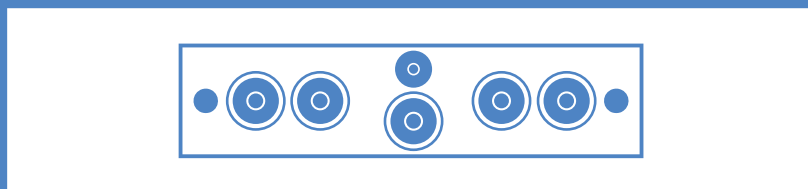
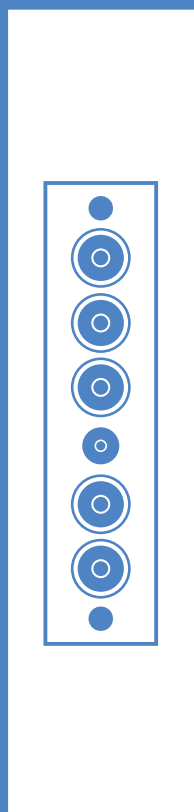


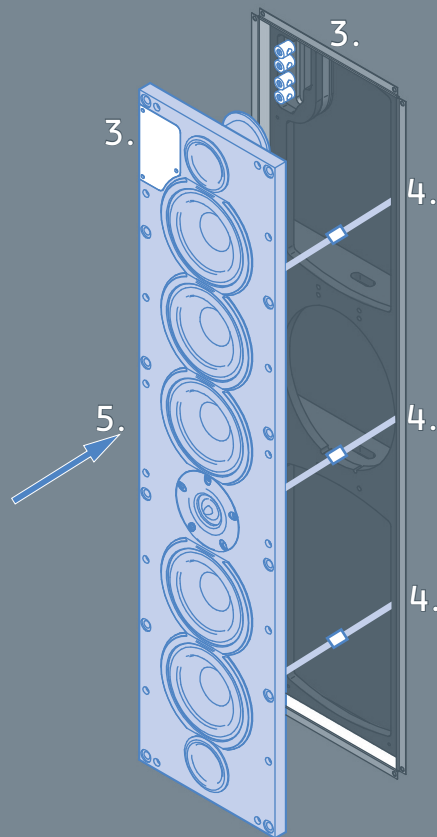
Owner's Manual

Epix - Front Baffle



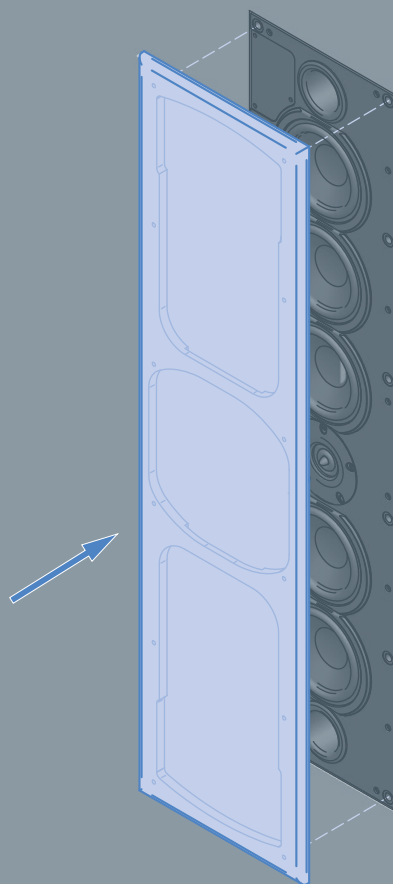
installation

1. Remove all screws on MDF protective cover panel on back box using Phillips head screw driver. Now gently remove MDF protective cover.
2. Clear away any excess plasterboard flushing compound if necessary
3. Orientate front baffle to align terminal panel with terminal cover on front baffle (see diagram)
4. Connect 3 X block connectors on front baffle to corresponding connectors on back box (see diagram)
5. Carefully push front baffle into back-box edging.
6. Fasten front baffle to backbox using supplied Alan key head screws.



installation

7. Attach grille if required.



Krix Loudspeakers Pty Ltd
14 Chapman Road
Hackham SA 5163
Australia

T 61 8 8384 3433
F 61 8 8384 3419
listen@krix.com

Rev #10003

krix.com