

LINN BRAKIT**LINN BRACKET FOR WALL MOUNTING****INTRODUCTION**

This bracket has been designed to be a very rigid and strong support that allows the speakers to give their best performance. The unique curved shape gives strength to the assembly and also offers flexibility of both vertical and horizontal adjustment. The loudspeakers can be angled to obtain the optimum listening axis. The speakers are held within 6cm of the wall and the mounting brackets are hidden behind the speakers.

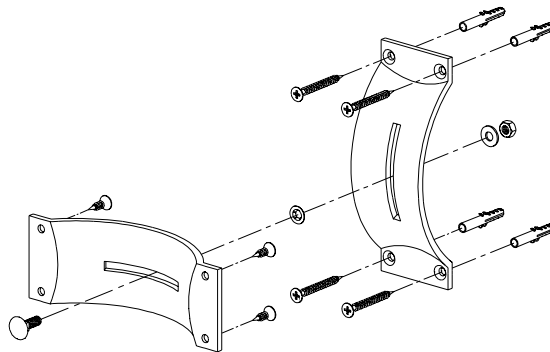
TOOLS REQUIRED

Spirit level
Power Drill
6mm masonry drill bit
No2 Pozidriv screwdriver

ASSEMBLY/INSTALLATION

Before assembly you should check that the kit is complete. A complete kit consists of:

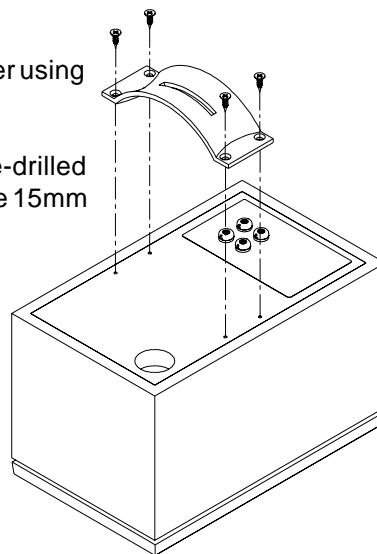
- 4 curved steel plates
- 8 wall plugs
- 8 long screws
- 8 short screws
- 2 plain washers
- 1 spanner/wrench
- 2 bolt retainers
- 2 bolts
- 2 nuts



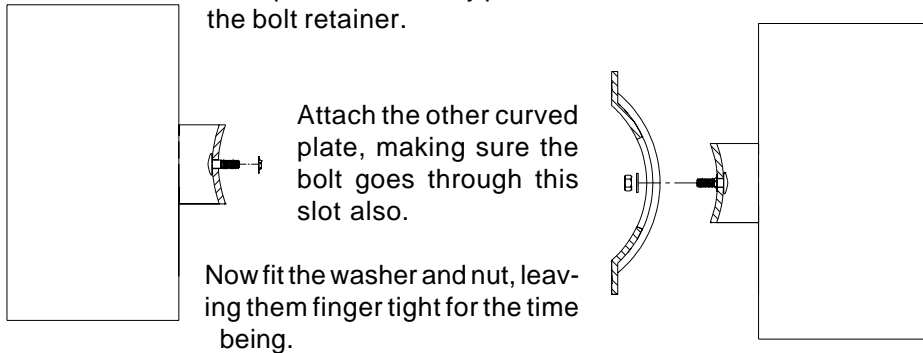
First screw a curved plate to the loudspeaker using 4 appropriate screws:

TUKAN: Use the 4 short screws into the pre-drilled holes. Note: These 3mm diameter holes are 15mm deep and do not break through into the cabinet. Also note the curved plates are identical to simplify the installation.

SEKRIT: Use the 4 M4 machine screws supplied with the SEKRIT.

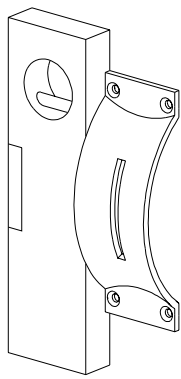


Now put the bolt through the slot on the curved plate attached to the loudspeaker and firmly push on the bolt retainer.



Attach the other curved plate, making sure the bolt goes through this slot also.

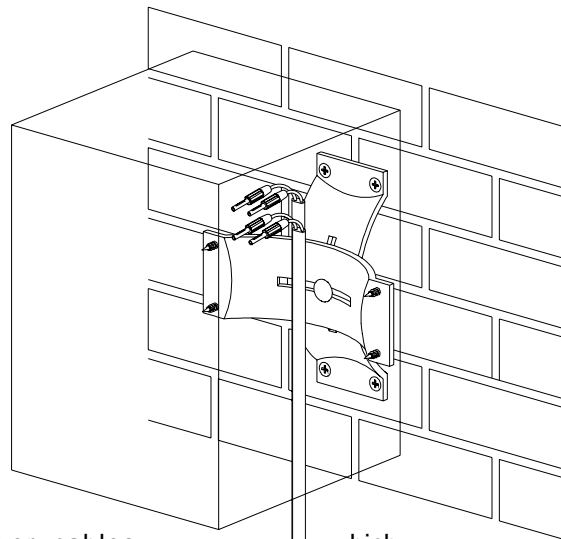
Now fit the washer and nut, leaving them finger tight for the time being.



Decide on the location of the loudspeakers and mark the wall at the edges of the steel plate. Remove the wall plate from the loudspeaker assembly and use it to mark the position for the holes in the wall, having first checked for vertical with a spirit level.

Now drill the holes in the wall at least 45mm deep. Insert the 4 plugs and screw the plate to the wall using 4 long screws.

Offer the loudspeaker to the plate on the wall making sure the bolt goes through the slot. Slip the washer over the end of the bolt and start the nut on the thread using your fingers.



Now connect the loudspeaker cables, should be fed inside the curved plate on speaker for a tidy installation and to the nut. Finally tighten the assembly spanner supplied whilst holding the loudspeaker at the desired angle.

which the loudspeaker allow access using the

