

Current terms and conditions apply.  
Details are available on ...

Es gelten unsere aktuellen Verkaufs-  
und Lieferbedingungen siehe unter ...

Toute commande est assujettie à nos  
conditions de ventes et de fournitures  
dans leur dernière version en vigueur, voir  
sous ...

Se aplican nuestras condiciones actuales  
de venta y de suministro, que se pueden  
consultar en ...

[www.wika.de](http://www.wika.de)

2121468.11 GB/D/FE 02/2010



**WIKAI Alexander Wiegand SE & Co. KG**

Alexander-Wiegand-Straße 30

63911 Klingenberg/Germany

Phone +49 / (0) 93 72/132-295

Fax +49 / (0) 93 72/132-706

E-Mail [support-tronic@wika.de](mailto:support-tronic@wika.de)

[www.wika.de](http://www.wika.de)

Operating instructions  
Betriebsanleitung  
Mode d'emploi  
Manual de instrucciones

LS-10,  
LH-10

Level probe /  
Pegelsonde /  
Sonde de niveau /  
Sonda de nivel



LS-10



LH-10

**WIKAI**

Part of your business

**Contents Page 3-14 GB**

1. Important details for your information
2. A quick overview for you
3. Signs, symbols and abbreviations
4. Function
5. For your safety
6. Packaging
7. Starting, operation
8. Maintenance, accessories
9. Trouble shooting
10. Storage, disposal

WIKA Global

Page 52

**Inhalt Seite 15-27 D**

1. Wichtiges zu Ihrer Information
2. Der schnelle Überblick für Sie
3. Zeichenerklärungen, Abkürzungen
4. Funktion
5. Zu Ihrer Sicherheit
6. Verpackung
7. Inbetriebnahme, Betrieb
8. Wartung, Zubehör
9. Störbeseitigung
10. Lagerung, Entsorgung

WIKA Global

Seite 52

**Contenu Page 28-39 F**

1. Informations importantes
2. Aperçu rapide
3. Explication des symboles,abréviations
4. Fonction
5. Pour votre sécurité
6. Emballage
7. Mise en service, exploitation
8. Entretien, accessoires
9. Elimination de perturbations
10. Stockage, mise au rebut

WIKA Global

Page 52

**Contenido Páginas 40-51 E**

1. Detalles importantes para su información
2. Resumen rápido para usted
3. Signos, símbolos y abreviaciones
4. Función
5. Para su seguridad
6. Embalaje
7. Puesta en servicio, funcionamiento
8. Mantenimiento, accesorios
9. Eliminación de perturbaciones
10. Almacenaje, eliminación de desechos

WIKA Global

Páginas 52

**1. Important details for your information**

Read these operating instructions before installing and starting the pressure transmitter. Keep the operating instructions in a place that is accessible to all users at any time.

The following installation and operating instructions have been compiled by us with great care but it is not feasible to take all possible applications into consideration. These installation and operation instructions should meet the needs of most pressure measurement applications. If questions remain regarding a specific application, you can obtain further information:

- Via our Internet address [www.wika.de](http://www.wika.de) / [www.wika.com](http://www.wika.com)
- The product data sheet is designated as PE 81.09
- Contact WIKA for additional technical support (+49) 9372 / 132-295

With special model number, e.g. LS-10000 or LH-10000, please note specifications in the delivery note.

If the serial number on the product label gets illegible (e.g. by mechanical damage or repainting), the retraceability of the instrument is not possible any more.

WIKA pressure transmitters are carefully designed and manufactured using state-of-the-art technology. Every component undergoes strict quality and environmental inspection before assembly and each instrument is fully tested prior to shipment. Our environmental management system is certified to DIN EN ISO 14001.

**Use of the product in accordance with the intended use LS-10, LH-10:**

Use the pressure transmitter to transform the pressure into an electrical signal.

**Knowledge required:** Install and start the pressure transmitter only if you are familiar with the relevant regulations and directives of your country and if you have the qualification required. You have to be acquainted with the rules and regulations on measurement and control technology and electric circuits, since this pressure transmitter is „electrical equipment“ as defined by EN 50178. Depending on the operating conditions of your application you have to have the corresponding knowledge, e.g. of aggressive media.

**2. A quick overview for you**

If you want to get a quick overview, read **Chapters 3, 5, 7 and 10**. There you will get some short safety instructions and important information on your product and its starting. **Read these chapters in any case.**

### 3. Signs, symbols and abbreviations



Warning

Potential danger of life or of severe injuries.



Notice, important information, malfunction.



The product complies with the applicable European directives.



CSA  
Canadian Standard Association  
The product was tested and certified by CSA International. It complies with the applicable Canadian standards on safety.  
Certificate-No.: 1360840.

- 2-wire Two connection lines are intended for the voltage supply.  
The supply current is the measurement signal.
- 3-wire Two connection lines are intended for the voltage supply.  
One connection line is intended for the measurement signal.
- 4-wire Two connection lines are intended for the voltage supply.  
Two connection lines are intended for the measurement signal.

### 4. Function

- LS-10: Submersible pressure transmitter for level measurement, standard version.  
LH-11: Submersible pressure transmitter for level measurement, High Performance.

**Function:** The hydrostatic pressure prevailing within the application is transformed into a standardised electrical signal through the deflection of the diaphragm, which acts on the sensor element with the power supply fed to the transmitter. This electric signal changes in proportion to the hydrostatic pressure and can be evaluated correspondingly.

### 5. For your safety



Warning

- Select the appropriate pressure transmitter with regard to scale range, performance and specific measurement conditions prior to installing and starting the instrument.
- Observe the relevant national regulations (e.g.: EN 50178) and observe the applicable standards and directives for special applications (e.g. with dangerous media such as acetylene, flammable gases or liquids and toxic gases or liquids and with refrigeration plants or compressors). **If you do not observe the appropriate regulations, serious injuries and/or damage can occur!**
- **Open pressure connections only after the system is without pressure!**
- Please make sure that the pressure transmitter is only used within the overload threshold limit all the time!
- Observe the ambient and working conditions outlined in section 7 „Technical data“.
- Ensure that the pressure transmitter is only operated in accordance with the provisions i.e. as described in the following instructions.
- Do not interfere with or change the pressure transmitter in any other way than described in these operating instructions.
- Remove the pressure transmitter from service and mark it to prevent it from being used again accidentally, if it becomes damaged or unsafe for operation
- **Take precautions with regard to remaining media in removed pressure transmitter. Remaining media in the pressure port may be hazardous or toxic!**
- Have repairs performed by the manufacturer only.
- Open circuit before removing connector / cover.

Information about material consistency against corrosion and diffusion can be found in our WIKA-Handbook, 'Pressure and Temperature Measurement'.

## 6. Packaging

### Has everything been supplied?



Check the scope of supply:

- Completely assembled level probe
- Inspect the pressure transmitter for possible damage during transportation. Should there be any obvious damage, inform the transport company and WIKA without delay.
- Keep the packaging, as it offers optimal protection during transportation (e.g. changing installation location, shipment for repair).
- Ensure that the connection contacts will not be damaged.

## 7. Starting, operation

### Diaphragm test for your safety

It is necessary that before starting the pressure transmitter you test the diaphragm, as this is a **safety-relevant component**.



Warning

- Pay attention to any liquid leaking out, for this points to a diaphragm damage.
- Use the pressure transmitter only if the diaphragm is undamaged.
- Use the pressure transmitter only if it is in a faultless condition as far as the safety-relevant features are concerned.

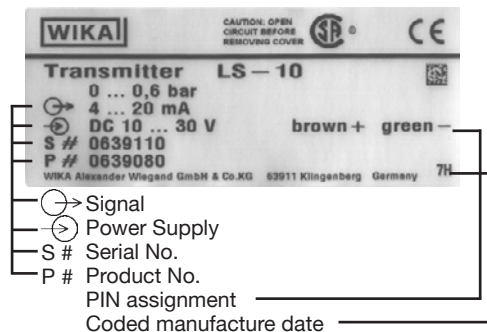
### Mechanical connection



- The protection cap (A) protects the secluded diaphragm (B) from damaging the level probe during transport and immersion. Remove the protection cap if used with viscous or contaminated media.
- An additional strain relief is not necessary because the cable has a max. tensile strength of 1000 N (500 N with FEP).

2121468.11 GB/D/F/E 02/2010

### Product label (example)



Generally the serial number on the product label applies. If there is no serial number on the product label, the number on the hexagon will apply.

### Electrical connection



- Operate the pressure transmitter with a shielded cable and earth the shield at least on one side of the cable, if the cable is longer than 30m (2-wire) or 3m (3- or 4-wire), or if it is run outside of the building.
- Use power supplies which guarantee reliable electrical isolation of the operating voltage as per IEC/DIN EN 60204-1. Consider also the general requirements for PELV circuits in accordance with IEC/DIN EN 60204-1.  
Alternative for North America: The connection may also be made to „Class 2 Circuits“ or „Class 2 Power Units“ according to CEC (Canadian Electrical Code) or NEC (National Electrical Code).
- There must be no differences in potential between medium/tank and the grounding of the junction box and the control cabinet when the shield of the cable is applied.
- Ingress protection IP 68 per IEC 60529
- Please make sure that the ends of cables with flying leads do not allow any ingress of moisture.

2121468.11 GB/D/F/E 02/2010



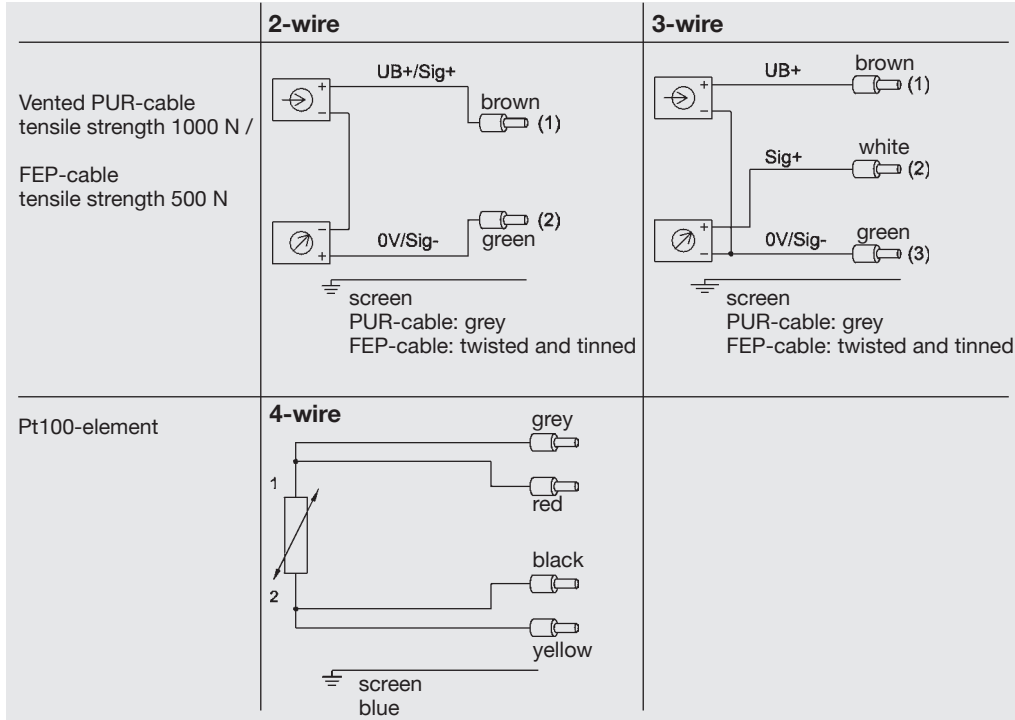
Power supply



Load (e.g. display)

UB+/Sig+ Positive supply / measurement connection

OV/Sig- Negative supply / measurement connection



2121468.11 GB/D/F/E 02/2010

## Specifications

## Model LS-10 / LH-10

Pressure ranges														
» LS-10 / {LH-10 with FEP cable}	bar <sup>1)</sup>	0.25	0.4	0.6	1	1.6	2.5	4	6	10				
Over pressure safety	bar <sup>1)</sup>	2	2	4	5	10	10	10	10	10				
Burst pressure	bar <sup>1)</sup>	2.4	2.4	4.8	6	12	12	12	12	12				
Pressure ranges														
» LH-10 with PUR cable	bar <sup>1)</sup>	0.1	0.16	0.25	0.4	0.6	1	1.6	2.5	4	6	10	16	25
Over pressure safety	bar <sup>1)</sup>	1	1.5	2	2	4	5	10	10	17	35	35	35	35
Burst pressure	bar <sup>1)</sup>	2	2	2.4	2.4	4.8	6	12	12	20.5	42	42	42	42

<sup>1)</sup> 1 bar = 10.2 mH<sub>2</sub>O

		Model LS-10	Model LH-10
Materials			
■ Wetted parts		Stainless steel	Stainless steel {Hastelloy}
■ Pressureconnection/diaphragm		Stainless steel	Stainless steel {Hastelloy}
■ Protection cap		PA	PA {stainless steel} {Hastelloy}
■ Cable		PUR	PUR {FEP}
Power supply UB	UB in VDC	10 < UB ≤ 30	10 < UB ≤ 30 (14 ... 30 with signal output 0 ... 10 V) (5 ... 30 with battery operation, signal output 0.5 ... 4.5 V)
Signal output		4 ... 20 mA, 2-wire	4 ... 20 mA, 2-wire 0 ... 20 mA, 3-wire {0 ... 5 V, 3-wire} {0 ... 10 V, 3-wire} {0.5 ... 4.5 V, 3-wire, with battery operation} <sup>2)</sup>
			{Pt100, 4-wire; IEC 60751}

<sup>2)</sup> For pressure ranges ≥ 0 ... 0.25 bar.

2121468.11 GB/D/F/E 02/2010

### Specifications Model LS-10 / LH-10

Pt100 → only model LH-10					
■ I max	mA	-		3	
■ I meas	mA	-		1	
Max. load RA	RA in Ohm				
Current signal output	UB in VDC	$RA \leq (UB - 10 V) / 0.02 A - (0.14 \text{ Ohm} \times \text{cable length in m})$			
Voltage signal output		-		RA > 100 kOhm	
Insulation voltage	VDC	500 <sup>3)</sup>		500 <sup>3)</sup>	
		<sup>3)</sup> Use NEC Class 02 power supply (low voltage and low current max. 100 VA even under fault conditions)			
Accuracy	% of span	$\leq 0.5$ <sup>4)</sup>		$\leq 0.25$ <sup>4)</sup>	( $\leq 0.5$ with pressure ranges < 0,25 bar)
		<sup>4)</sup> Including non-linearity, hysteresis, zero point and full scale error (corresponds to error of measurement per IEC 61298-2). Adjusted in vertical mounting position with lower pressure connection.			
Non-linearity	% of span	$\leq 0.2$	(BFSL) according to IEC 61298-2		
Non-repeatability	% of span	$\leq 0.1$			
1-year stability	% of span	$\leq 0.2$	(at reference conditions)		
Permissible temperature of Medium <sup>5)</sup>		-10 ... +50 °C	+14 ... +122 °F	-10 ... +50 °C	+14 ... +122 °F
				{-10 ... +85 °C option FEP-cable}	
				{+14 ... +185 °F option FEP-cable}	
Storage <sup>5)</sup>		-30 ... +80 °C	-22 ... +176 °F	-30 ... +80 °C	-22 ... +176 °F
		<sup>5)</sup> Also complies with EN 50178, Tab. 7, Operation (C) 4K4H, Storage (D) 1K4, Transport (E) 2K3			
Compensated temp range		0 ... +50 °C	+32 ... +122 °F	0 ... +50 °C	+32 ... +122 °F
Temperature coefficients within compensated temp range					
■ Mean TC of zero	% of span	$\leq 0.2 / 10 K$	(< 0.4 for pressure range $\leq 250$ mbar)		
■ Mean TC of range	% of span	$\leq 0.2 / 10 K$		$\leq 0.2 / 10 K$	

### Specifications Model LS-10 / LH-10

CE- conformity			
■ EMC directive		2004/108/EEC, EN 61 326 Emission (Group 1, Class B) and Immunity (Industrial locations)	
Wiring protection			
■ Short-circuit proofness		Sig+ towards UB-	
■ Reverse polarity protection		UB+ towards UB-	
			{Lightning protection EN 61000-4-5; 1,5J}
Weight	kg		
■ Level probe		Approx. 0.18	Approx. 0.20
■ Cable		Approx. 0.08	Approx. 0.08
■ Additional weight		Approx. 0.50	Approx. 0.50

{ } Items in curved brackets are optional extras for additional price.

### Functional test



The output signal must be proportional to the pressure. If not, this might point to a damage of the diaphragm. In that case refer to chapter 10 „Troubleshooting“.



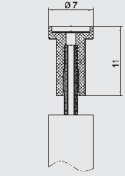
- Observe the ambient and working conditions outlined in section 7 „Technical data“.
- Please make sure that the pressure transmitter is only used within the overload threshold limit at all times!

### 8. Maintenance, accessories



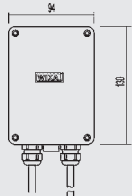
- WIKA pressure transmitters require no maintenance.
- Have repairs performed by the manufacturer only.

## Order-No.



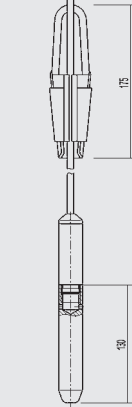
71 93 131

The optional filter element for self-mounting avoids the ingress of pollution and water into the venting tube for the pressure compensation to the atmosphere.



24 59 686

The optional cable box with weather protection IP 67 with venting element (NEMA 4) is suitable for mounting outside of the shafts and tanks or directly in dry control boxes.



20 74 257

For mechanical assembly of the level probe a cable straining clamp is optionally available.

15 24 399

In order to increase the mass of the level probe an additional mass (approx. 500 g = 1.1 lb.) can be screwed on.

2121468.11 GB/D/F/E 02/2010

## 9. Trouble shooting



Warning

- Take precautions with regard to remaining media in removed pressure transmitters. Remaining media in the pressure port may be hazardous or toxic!
- Remove the pressure transmitter from service and mark it to prevent it from being used again accidentally, if it becomes damaged or unsafe for operation.
- Have repairs performed by the manufacturer only.



Do not insert any pointed or hard objects into the pressure port for cleaning to prevent damage to the diaphragm.

Please verify in advance if pressure is being applied (valves/ ball valve etc. open) and if the right voltage supply and the right type of wiring (2-wire/ 3-wire/4-wire) has been chosen?

Failure	Possible cause	Procedure
Signal span dropping off/too small	Diaphragm is damaged, e.g. through impact, abrasive/aggressive media; corrosion of diaphragm/pressure connector; transmission fluid missing.	Contact the manufacturer and replace the instrument
Signal span drops off	Moisture present (e.g. at the cable tail)	Install the cable correctly
Signal span erratic or incorrect	Working temperature too high/too low	Ensure permissible temperatures as per the Operating Instructions
Abnormal zero point signal	Medium or ambient temperature too high/too low	Control the internal temperature of the instrument within the permissible range; observe the allowable temperature error (see Operating Instructions)
	Diaphragm is damaged, e.g. through impact, abrasive/aggressive media; corrosion of diaphragm/pressure connector.	Replace instrument
	Working temperature too high/too low	Ensure permissible temperatures as per the Operating Instructions
Zero point signal unstable/ too low/high	Moisture present (e.g. at the cable tail)	Install the cable correctly, filter element insertion

2121468.11 GB/D/F/E 02/2010

Failure	Possible cause	Procedure
Hot instrument case surface	Permissible ambient or medium temperature exceeded	Ensure permissible ambient/medium temperature limits are observed (see Operating Instructions)

In case of unjustified reclamation we charge the reclamation handling expenses.

\*) Make sure that after the assembly the unit is working properly. In case the error continues to exist send in the instrument for reparation (or replace the unit).

If the problem persists, contact our sales department.

**USA, Canada:** If the problem continues, contact WIKA or an authorized agent for assistance. If the pressure transmitter must be returned obtain an RMA (return material authorization) number and shipping instructions from the place of purchase. Be sure to include detailed information about the problem. Pressure transmitters received by WIKA without a valid RMA number will not be accepted.

#### Process material certificate (Contamination declaration for returned goods)

Purge / clean dismantled instruments before returning them in order to protect our employees and the environment from any hazard caused by adherent remaining media.

Service of instruments can only take place safely when a Product Return Form has been submitted and fully filled-in. This Return Form contains information on all materials with which the instrument has come into contact, either through installation, test purposes, or cleaning. You can find the Product Return Form on our internet site ([www.wika.de](http://www.wika.de) / [www.wika.com](http://www.wika.com)).

## 10. Storage, disposal



Warning

When storing or disposing of the pressure transmitter, take precautions with regard to remaining media in removed pressure transmitters. We recommend cleaning the transmitter properly and carefully. Remaining media in the pressure port may be hazardous or toxic!



**Storage:** Mount the protection cap when storing the pressure transmitter in order to prevent any damage to the diaphragm.



**Disposal:** Dispose of instrument components and packaging materials in accordance with the respective waste treatment and disposal regulations of the region or country to which the instrument is supplied.

WIKA reserves the right to alter these technical specifications.

## 1. Wichtiges zu Ihrer Information

Lesen Sie diese Betriebsanleitung vor Montage und Inbetriebnahme des Druckmessgerätes. Bewahren Sie die Betriebsanleitung an einem für alle Benutzer jederzeit zugänglichen Ort auf. Die nachfolgenden Einbau- und Betriebshinweise haben wir mit Sorgfalt zusammengestellt. Es ist jedoch nicht möglich, alle erdenklichen Anwendungsfälle zu berücksichtigen. Sollten Sie Hinweise für Ihre spezielle Aufgabenstellung vermissen, können Sie hier weitere Informationen finden:

- Über unsere Internet-Adresse [www.wika.de](http://www.wika.de) / [www.wika.com](http://www.wika.com)
- Die Bezeichnung des zugehörigen Datenblattes ist PE 81.09
- Anwendungsberater: (+49) 9372/132-295

Bei Sondertypennummer, z.B. LS-10000 oder LH-10000, beachten Sie die Spezifikationen gemäß Lieferschein.

Wird die Seriennummer auf dem Typenschild unleserlich (z. B. durch mechanische Beschädigung oder Übermalen), ist eine Rückverfolgbarkeit nicht mehr möglich.

Die in der Betriebsanleitung beschriebenen WIKA-Druckmessgeräte werden nach den neuesten Erkenntnissen konstruiert und gefertigt. Alle Komponenten unterliegen während der Fertigung strengen Qualitäts- und Umweltkriterien. Unser Umweltmanagementsystem ist nach DIN EN ISO 14001 zertifiziert.

#### Bestimmungsgemäße Produktverwendung LS-10, LH-10:

Verwenden Sie die Pegelsonde, um hydrostatischen Druck in ein elektrisches Signal zu wandeln.

**Ihre erforderlichen Kenntnisse:** Montieren und nehmen Sie das Druckmessgerät nur in Betrieb, wenn Sie mit den zutreffenden landesspezifischen Richtlinien vertraut sind und die entsprechende Qualifikation besitzen. Sie müssen mit den Kenntnissen von Mess- und Regeltechnik sowie elektrischen Stromkreisen vertraut sein, da das Druckmessgerät ein „elektrisches Betriebsmittel“ nach EN 50178 ist. Je nach Einsatzbedingung müssen Sie über entsprechendes Wissen verfügen, z. B. über aggressive Medien.

## 2. Der schnelle Überblick für Sie

Wollen Sie sich einen schnellen Überblick verschaffen, lesen Sie **Kapitel 3, 5, 7 und 10**. Dort erhalten Sie kurze Hinweise zu Ihrer Sicherheit und wichtige Informationen über Ihr Produkt und zur Inbetriebnahme. **Lesen Sie diese unbedingt.**



### 3. Zeichenerklärungen, Abkürzungen



Warnung

Mögliche Gefahr für Ihr Leben oder schwerer Verletzungen.



Hinweis, wichtige Information, Funktionsstörung.



Das Produkt stimmt mit den zutreffenden europäischen Richtlinien überein.



CSA  
Canadian Standard Association  
Das Produkt wurde durch CSA International geprüft und zertifiziert. Es stimmt überein mit den anwendbaren kanadischen Normen zur Sicherheit. Zertifikatsnummer: 1360840.

2-Leiter Zwei Anschlussleitungen dienen zur Spannungsversorgung. Der Speisestrom ist das Mess-Signal.

3-Leiter Zwei Anschlussleitungen dienen zur Spannungsversorgung. Eine Anschlussleitung dient für das Mess-Signal.

4-Leiter Zwei Anschlussleitungen dienen zur Spannungsversorgung. Zwei Anschlussleitungen dienen für das Mess-Signal.

### 4. Funktion

LS-10: Pegelsonde für allgemeine Füllstands- und Pegelmessungen, Standardausführung.

LH-10: Pegelsonde für allgemeine Füllstands- und Pegelmessungen, High Performance.

**Funktion:** Mittels Sensorelement und unter Zuführung von Hilfsenergie wird über die Verformung einer Membran der anstehende hydrostatische Druck in Ihrer Anwendung in ein verstärktes standardisiertes elektrisches Signal umgewandelt. Dieses elektrische Signal verändert sich proportional zum hydrostatischen Druck und kann entsprechend ausgewertet werden.

### 5. Zu Ihrer Sicherheit



Warnung

- Wählen Sie das richtige Druckmessgerät hinsichtlich Messbereich, Ausführung und spezifischen Messbedingungen vor Montage oder Inbetriebnahme.
- Halten Sie die entsprechenden landesspezifischen Vorschriften ein (z. B.: EN 50178) und beachten Sie bei speziellen Anwendungen die geltenden Normen und Richtlinien (z. B. bei gefährlichen Messstoffen wie Acetylen, brennbaren oder giftigen Stoffen sowie bei Kälteanlagen und Kompressoren). **Wenn Sie die entsprechenden Vorschriften nicht beachten, können schwere Körperverletzungen und Sachschäden entstehen!**

- **Öffnen Sie Anschlüsse nur im drucklosen Zustand!**
- Betreiben Sie das Druckmessgerät immer innerhalb des Überlastgrenzbereiches!
- Beachten Sie die Betriebsparameter gemäß Punkt 7 „Technische Daten“.
- Stellen Sie sicher, dass das Druckmessgerät nur bestimmungsgemäß -also wie in der folgenden Anleitung beschrieben- betrieben wird.
- Unterlassen Sie unzulässige Eingriffe und Änderungen am Druckmessgerät, welche nicht in dieser Betriebsanleitung beschrieben sind.
- Setzen Sie das Druckmessgerät außer Betrieb und schützen Sie es gegen versehentliche Inbetriebnahme, wenn Sie Störungen nicht beseitigen können.
- **Ergreifen Sie Vorsichtsmaßnahmen für Messstoffreste in ausgebauten Druckmessgeräten. Messstoffreste können zur Gefährdung von Menschen, Umwelt und Einrichtung führen!**
- Lassen Sie Reparaturen nur vom Hersteller durchführen
- Öffnen Sie den Stromkreis, bevor Sie den Stecker / Deckel abnehmen.

Angaben zu Korrosions- bzw. Diffusionsbeständigkeit der Gerätewerkstoffe entnehmen Sie bitte unserem WIKA-Handbuch zur Druck- und Temperaturmesstechnik.

## 6. Verpackung

### Wurde alles geliefert?



Überprüfen Sie den Lieferumfang:

- Komplett montierte Pegelsonden
- Untersuchen Sie das Druckmessgerät auf eventuell entstandene Transportschäden. Sind offensichtlich Schäden vorhanden, teilen Sie dies dem Transportunternehmen und WIKA unverzüglich mit.
- Bewahren Sie die Verpackung auf, denn diese bietet bei einem Transport einen optimalen Schutz (z. B. wechselnder Einbauort, Reparatursendung).
- Achten Sie darauf, dass die Anschlusskontakte nicht beschädigt werden.

## 7. Inbetriebnahme, Betrieb

### Membran-Prüfung zu Ihrer Sicherheit

Es ist erforderlich, dass Sie vor Inbetriebnahme des Druckmessgerätes die Membran prüfen, denn sie ist ein **sicherheitsrelevantes Teil**.



**Warnung**

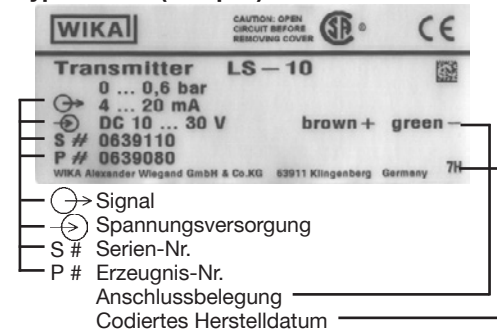
- Achten Sie auf auslaufende Flüssigkeit, denn sie ist ein Hinweis auf eine Membranbeschädigung.
- Setzen Sie das Druckmessgerät nur ein, wenn die Membran unbeschädigt ist.
- Setzen Sie das Druckmessgerät nur in sicherheitstechnisch einwandfreiem Zustand ein.

2121468.11 GB/D/F/E 02/2010

## Montage mechanischer Anschluss



## Typenschild (Beispiel)



Es gilt grundsätzlich die Seriennummer auf dem Typenschild. Befindet sich keine Seriennummer auf dem Typenschild, so gilt die Nummer auf dem Sechskant.



- Das Anschlusskabel weist eine maximale Zugkraft von 1000 N (500 N bei FEP auf, so dass eine zusätzliche Zugentlastung entfällt!
- Die Schutzkappe (A) schützt die innenliegende Membran (B) vor Beschädigung während des Transportes und beim Absenken der Sonde. Entfernen Sie die Schutzkappe, wenn das Messmedium zähflüssig oder verschmutzt ist.

## Montage elektrischer Anschluss



- Betreiben Sie die Pegelsonde mit geschirmter Leitung und erden Sie den Schirm auf mindestens einer Leitungsseite, wenn die Leitungen länger als 30m (2-Leiter) bzw. 3m (3- bzw. 4-Leiter) sind oder das Gebäude verlassen.
- Verwenden Sie ausschließlich Stromquellen, die eine sichere elektrische Trennung der Betriebsspannung nach IEC/DIN EN 60204-1 gewährleisten. Berücksichtigen Sie zusätzlich die allgemeinen Anforderungen an PELV-Stromkreise gemäß IEC/DIN EN 60204-1.  
Alternativ für Nordamerika: Der Anschluss kann auch an „Class 2 Circuits“ oder „Class 2 Power Units“ gemäß CEC (Canadian Electrical Code) oder NEC (National Electrical Code) erfolgen.

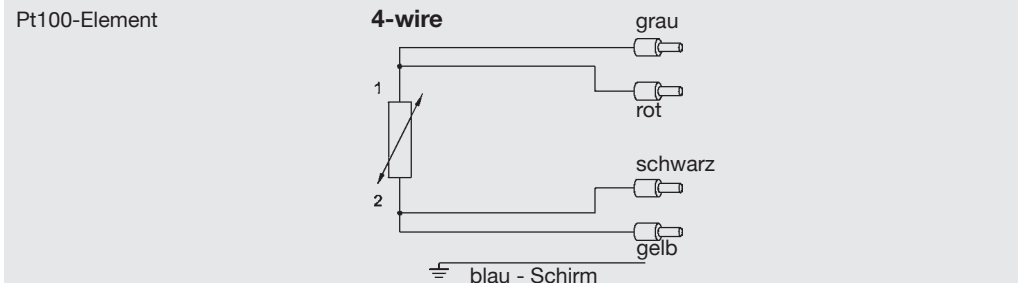
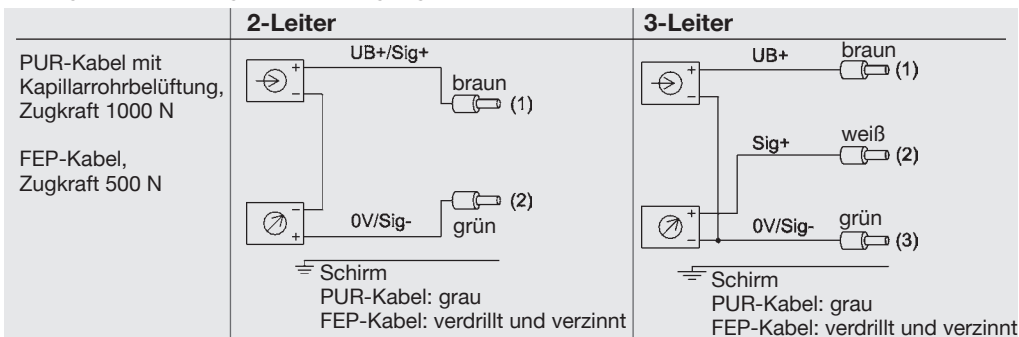
2121468.11 GB/D/F/E 02/2010



- Es dürfen keine Potentialunterschiede zwischen Medium/Behälter und der Masseanbindung der Anschlussdose bzw. des Schaltschranks herrschen, wenn der Schirm des Kabels aufgelegt wird.
- Schutzart IP 68 nach IEC 60 529
- Stellen Sie bei Kabelausgängen sicher, dass am Ende des Kabels keine Feuchtigkeit eintritt.



UB+/Sig+      Positiver Versorgungs- / Messanschluss  
 OV/Sig-      Negativer Versorgungs- / Messanschluss



2121468.11 GB/D/F/E 02/2010

### Technische Daten Typ LS-10 / LH-10

Messbereich LS-10 / {LH-10 FEP}	bar <sup>1)</sup>	0,25	0,4	0,6	1	1,6	2,5	4	6	10							
Überlastgrenze	bar <sup>1)</sup>	2	2	4	5	10	10	10	10	10							
Berstdruck	bar <sup>1)</sup>	2,4	2,4	4,8	6	12	12	12	12	12							
Messbereich LH-10 mit PUR Kabel	bar <sup>1)</sup>	0,1	0,16	0,25	0,4	0,6	1	1,6	2,5	4	6	10	16	25			
Überlastgrenze	bar <sup>1)</sup>	1	1,5	2	2	4	5	10	10	17	35	35	35	35			
Berstdruck	bar <sup>1)</sup>	2	2	2,4	2,4	4,8	6	12	12	20,5	42	42	42	42			

<sup>1)</sup> 1 bar entspricht 10,2 mWS

	Typ LS-10	Typ LH-10
Werkstoff		
■ Messstoffberührte Teile	CrNi-Stahl	CrNi-Stahl {Hastelloy}
■ Druckanschluss/Membrane	CrNi-Stahl	CrNi-Stahl {Hastelloy}
■ Schutzkappe	PA	PA {CrNi-Stahl} {Hastelloy}
■ Kabel	PUR	PUR {FEP}
Hilfsenergie UB	UB in VDC	10 < UB ≤ 30
		10 < UB ≤ 30 (14 ... 30 bei Ausgang 0 ... 10 V)
		(5 ... 30 bei Batteriebetrieb, Ausgang 0,5 ... 4,5 V)
Ausgangssignal und zulässige	4 ... 20 mA, 2-Leiter	4 ... 20 mA, 2-Leiter
		0 ... 20 mA, 3-Leiter
		{0 ... 5 V, 3-Leiter}
		{0 ... 10 V, 3-Leiter}
		{0,5 ... 4,5 V, 3-Leiter bei Batteriebetrieb} <sup>2)</sup>
		{Pt100, 4-Leiter; IEC 60751}

<sup>2)</sup> Ab Messbereich 0 ... 0,25 bar

2121468.11 GB/D/F/E 02/2010

### Technische Daten Typ LS-10 / LH-10

Pt100 » nur Typ LH-10			
■ I <sub>max</sub>	mA	-	3
■ I <sub>mess</sub>	mA	-	1
Zulässige max. Bürde RA	RA in Ohm		
■ Stromausgang	UB in VDC	RA ≤ (UB - 10 V) / 0,02 A - (0,14 Ohm x Kabel in m)	
■ Spannungsausgang		-	RA > 100 kOhm
Isolationsspannung	VDC	500 <sup>3)</sup>	500 <sup>3)</sup>
	<sup>3)</sup> NEC Class 02 Spannungsversorgung (Leistungsbegrenzung max. 100 VA auch im Fehlerzustand)		
Genauigkeit	% d. Spanne	≤ 0,5 <sup>4)</sup>	≤ 0,25 <sup>4)</sup> (≤ 0,5 bei Messbereichen < 0,25 bar)
	<sup>4)</sup> Einschließlich Nichtlinearität, Hysterese, Nullpunkt- und Endwertabweichung (entspricht Messabweichung nach IEC 61298-2). Kalibriert bei senkrechter Einbaulage Druckanschluss nach unten.		
Nichtlinearität	% d. Spanne	≤ 0,2 (BFSL) nach IEC 61298-2	
Nichtwiederholbarkeit	% d. Spanne	≤ 0,1	
Stabilität pro Jahr	% d. Spanne	≤ 0,2 (bei Referenzbedingungen)	
Zulässige Temperaturbereiche			
Messstoff <sup>5)</sup>	°C	-10 ... +50	-10 ... +50
	°C		{-10 ... +85 bei Option FEP-Kabel}
Lagerung <sup>5)</sup>	°C	-30 ... +80	-30 ... +80
	<sup>5)</sup> Erfüllt auch EN 50178, Tab. 7, Betrieb (C) 4K4H, Lagerung (D) 1K4, Transport (E) 2K3		
Kompensierter Temperaturbereich	°C	0 ... +50	0 ... +50
Temperaturkoeffizienten im kompensierten Temperaturbereich			
■ Mittlerer TK des Nullpunktes	% d. Spanne	≤ 0,2 / 10 K (< 0,4 für Messbereiche ≤ 250 mbar)	
■ Mittlerer TK der Spanne	% d. Spanne	≤ 0,2 / 10 K	

2121468.11 GB/D/F/E 02/2010

### Technische Daten Typ LS-10 / LH-10

CE- Kennzeichen		2004/108/EG, EN 61326 Emission (Gruppe 1, Klasse B) und Störfestigkeit (industrieller Bereich)	
Elektrische Schutzarten			
■ Kurzschlussfestigkeit		Sig+ gegen UB-	
■ Verpolschutz		UB+ gegen UB-	
		{Blitzschutz EN 61000-4-5; 1,5J}	
Gewicht			
■ Pegelsonde	kg	Ca. 0,18	Ca. 0,20
■ Kabel	kg/m	Ca. 0,08	Ca. 0,08
■ Zusatzgewicht	kg	Ca. 0,50	Ca. 0,50

{ } Angaben in geschweiften Klammern beschreiben gegen Mehrpreis lieferbare Sonderheiten.

### Funktionsprüfung



Das Ausgangssignal muss sich dem anstehenden Druck proportional verhalten. Wenn dies nicht so ist, kann das ein Hinweis auf eine Beschädigung der Membran sein. Lesen Sie in diesem Fall in Kapitel 10 „Störbeseitigung“ nach.



### Warnung

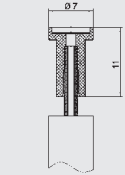
- Beachten Sie die Betriebsparameter gemäß Punkt 7 „Technische Daten“.
- Betreiben Sie die Pegelsonde immer innerhalb des Überlastgrenzbereichs!

### 8. Wartung, Zubehör



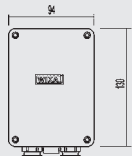
- WIKA Druckmessgeräte sind wartungsfrei.
- Lassen Sie Reparaturen nur vom Hersteller durchführen.

## Bestell-Nr.



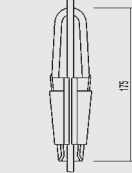
71 93 131

Um Verschmutzung und Wassereintritt in das Kapillarröhrchen für den Druckausgleich zu verhindern bietet WIKA optional ein Filterelement zur Selbstmontage an.



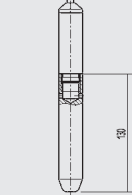
24 59 686

Die optionale Kabeldose, Schutzart IP 67 mit Belüftungselement wird außerhalb von Schächten und Behältern oder direkt im Schaltschrank in trockener Umgebung montiert.



20 74 257

Zur mechanischen Befestigung der Sonde bieten wir optional eine Kabelabspannklemme an.



15 24 399

Zur Erhöhung des Eigengewichtes der Pegelsonde kann ein Zusatzgewicht (ca. 500 g) angeschraubt werden.

2121468.11 GB/D/F/E 02/2010

## 9. Störbeseitigung



Warnung

- Ergreifen Sie Vorsichtsmaßnahmen für Messstoffreste in ausgebauten Druckmessgeräten. Messstoffreste können zur Gefährdung von Menschen, Umwelt und Einrichtung führen!
- Setzen Sie das Druckmessgerät außer Betrieb und schützen Sie es gegen versehentliche Inbetriebnahme, wenn Sie Störungen nicht beseitigen können.
- Lassen Sie Reparaturen nur vom Hersteller durchführen.



Verwenden Sie keine spitzen bzw. harten Gegenstände zur Reinigung, denn die Membran darf nicht beschädigt werden.

Prüfen Sie bitte vorab, ob Druck ansteht (Ventile/Kugelhahn usw. offen) und ob Sie die richtige Spannungsversorgung und die richtige Verdrahtungsart (2-Leiter/3-Leiter/4-Leiter) gewählt haben.

Störung	Mögliche Ursache	Maßnahme
Signalspanne fällt/ab/zu klein	Membranbeschädigung, z. B. durch Schläge, abrasives/aggressives Medium; Korrosion an Membran/Druckanschluss; Übertragungsmedium fehlt	Hersteller kontaktieren und Gerät austauschen
Signalspanne fällt ab	Feuchtigkeit eingetreten (z. B. am Kabelende)	Kabel korrekt montieren
Signalspanne schwankend oder ungenau	Zu hohe/niedrige Einsatztemperaturen	Zulässige Temperaturen gemäß Betriebsanleitung einhalten

2121468.11 GB/D/F/E 02/2010

Störung	Mögliche Ursache	Maßnahme
Abweichendes Nullpunkt-Signal	Medium- bzw. Umgebungstemperatur zu hoch/niedrig	Gerät innerhalb zulässiger Temperaturbereich betreiben; zulässigen Temperaturfehler beachten (siehe Betriebsanleitung)
	Membranbeschädigung, z. B. durch Schläge, abrasives/aggressives Medium; Korrosion an Membran/Druckanschluss	Gerät austauschen
	Zu hohe/niedrige Einsatztemperaturen	Zulässige Temperaturen gemäß Betriebsanleitung einhalten
Nullpunktsignal instabil/zu niedrig/hoch	Feuchtigkeit eingetreten (z.B. Kabelende)	Kabel korrekt montieren, Filterelement einsetzen
Heiße Gehäuseoberfläche	Zulässige Umgebungs-/Mediumtemperatur überschritten	Zulässige Umgebungs-/Mediumtemperatur einhalten (siehe Betriebsanleitung)
Kein Ausgangssignal	Keine/Falsche Versorgungsspannung oder Stromstoß	Versorgungsspannung gemäß Betriebsanleitung korrigieren *)

Im unberechtigtem Reklamationsfall berechnen wir die Reklamationsbearbeitungs-Kosten.

\*) Überprüfen Sie nach der Montage die korrekte Arbeitsweise des Systems. Besteht der Fehler weiterhin, senden Sie das Gerät zur Reparatur ein (oder tauschen Sie das Gerät aus).

Wenn das Problem bestehen bleibt, setzen Sie sich mit unserem Vertriebsmitarbeiter in Verbindung.

### Prozess Material Zertifikat (Kontaminationserklärung im Servicefall)

Spülen bzw. säubern Sie ausgebaute Geräte vor der Rücksendung, um unsere Mitarbeiter und die Umwelt vor Gefährdung durch anhaftende Messstoffreste zu schützen.

Eine Überprüfung ausgefallener Geräte kann nur sicher erfolgen, wenn das vollständig ausgefüllte Rücksendeformular vorliegt. Eine solche Erklärung beinhaltet alle Materialien, welche mit dem Gerät in Berührung kamen, auch solche, die zu Testzwecken, zum Betrieb oder zur Reinigung eingesetzt wurden. Das Rücksendeformular ist über unsere Internet-Adresse ([www.wika.de](http://www.wika.de) / [www.wika.com](http://www.wika.com)) verfügbar.

2121468.11 GB/D/F/E 02/2010

## 10. Lagerung, Entsorgung



### Warnung

Ergreifen Sie bei Lagerung und Entsorgung Vorsichtsmaßnahmen für Messstoffreste in ausgebauten Druckmessgeräten. Wir empfehlen eine geeignete und sorgfältige Reinigung. Messstoffreste können zur Gefährdung von Menschen, Umwelt und Einrichtung führen!

### Lagerung



Montieren Sie die Schutzkappe bei Lagerung des Druckmessgerätes, damit die Membran nicht beschädigt wird.

### Entsorgung



Entsorgen Sie Gerätekomponenten und Verpackungsmaterialien entsprechend den einschlägigen landesspezifischen Abfallbehandlungs- und Entsorgungsvorschriften des Anliefergebietes.

Technische Änderungen vorbehalten.

2121468.11 GB/D/F/E 02/2010

## 1. Informations importantes

Veuillez lire ce mode d'emploi avant le montage et la mise en service de transmetteur de pression. Conservez ce mode d'emploi dans un endroit accessible en tout temps pour tous les utilisateurs. Les instructions de montage et de service présentées ci-après ont été établies avec grand soin. Il reste toutefois impossible d'envisager tous les cas d'applications possibles.

Dans le cas où vous constateriez des lacunes dans ces instructions pour les tâches spéciales qu'il vous faut exécuter, vous avez la possibilité de recevoir des compléments d'informations:

- Sous notre adresse internet [www.wika.de](http://www.wika.de) / [www.wika.com](http://www.wika.com)
- La fiche technique de ce produit à la désignation PE 81.09
- Par contact direct avec notre conseiller applications (+49) 9372/132-295

Pour les modèles avec numéros spéciaux comme par exemple LS-10000 ou LH-10000, veuillez prendre en considération les spécifications selon le bordereau de livraison.

Si le numéro de série sur la plaque de fabrication n'est (ne sont) plus lisible(s) (par exemple par endommagement mécanique ou si le numéro est recouvert de peinture), la traçabilité n'est plus assurée.

La conception et la fabrication des transmetteurs de mesure WIKA, tels que décrits dans les instructions de service, satisfont aux toutes dernières règles de l'art. Tous les composants sont soumis à un contrôle strict des critères de qualité et d'environnement en cours de fabrication. Notre système de gestion de l'environnement est certifié selon DIN EN ISO 14001.

### Définition conforme d'utilisation du produit LS-10, LH-10

Utilisez la sonde de niveau afin de transformer la pression hydrostatique en signal électrique.

### Vos connaissances nécessaires

N'installez et ne mettez en service le transmetteur de pression que si vous avez les connaissances exactes des directives spécifiques nationales et si vous êtes en possession de la qualification en rapport. Vous devez posséder des connaissances des prescriptions pour la technique de mesure et régulation et des circuits électriques étant donné que le transmetteur de pression est un équipement électrique selon EN 50178. Suivant les conditions d'utilisation vous devez disposer de connaissances particulières, par exemple sur les fluides agressifs.

## 2. Aperçu rapide

Si vous voulez vous procurer un résumé rapide, veuillez lire les **chapitres 3, 5, 7 et 10**. Là vous trouverez des indications concernant votre sécurité et des informations importantes sur votre produit et sa mise en service. **Veillez absolument en prendre connaissance.**

## 3. Explication des symboles, abréviations



Risque de danger de mort ou de blessures graves.



Remarques, informations importantes, dérangement de fonction.



Ce produit est conforme aux directives européennes correspondantes.



CSA  
Canadian Standard Association  
Ce produit a été contrôlé et certifié par "CSA International".  
Il est en accord avec les normes utilisables au Canada sur la sécurité.  
Numéro de certificate: 1360840

- 2-fils Deux conducteurs servent à l'alimentation.  
Le courant de l'alimentation est le signal de mesure.
- 3-fils Deux conducteurs servent à l'alimentation.  
Un conducteur sert au signal de mesure.
- 4-fils Deux conducteurs servent à l'alimentation.  
Deux conducteurs servent au signal de mesure.

## 4. Fonction

LS-10: Sonde de niveau, version standard.

LH-10: Sonde de niveau, Haute performance.

**Fonction:** A l'aide d'un capteur et sous alimentation électrique, on obtient la transformation en un signal amplifié, normalisé et électrique de la pression hydrostatique appliquée, par la déformation d'une membrane. Ce signal électrique varie proportionnellement par rapport à la pression hydrostatique et peut être exploité en rapport.

## 5. Pour votre sécurité



### Avertissement

- Choisissez le transmetteur de pression adéquat, avant le montage et la mise en service, en rapport à l'étendue de mesure, l'exécution et les conditions de mesure spécifiques
- Respectez les prescriptions de sécurité nationales (comme par exemple: EN 50178) et observez lors d'applications spéciales les normes et règlements en rigueur (par exemple pour fluides dangereux tels que : acétylène, fluides combustibles ou toxiques ainsi que les installations frigorifiques et compresseurs). **Si vous ne respectez pas les prescriptions correspondantes, de graves lésions corporelles et dégâts matériels peuvent en résulter!**
- **N'ouvrez les raccords que hors pression!**
- N'utilisez le transmetteur de pression qu'à l'intérieur de la zone limite!
- Prenez en considération les paramètres de service selon le chapitre 7 „Caractéristiques techniques”.
- Assurez-vous que le transmetteur de pression ne soit utilisé qu'en accord avec le règlement, c'est-à-dire comme décrit dans la directive suivante.
- Abstenez-vous d'effectuer des empiètements et changements inadmissibles sur le transmetteur de pression n'étant pas décrits dans le mode d'emploi.
- Si vous ne pouvez pas éliminer des dérangements sur le transmetteur de pression, mettez celui-ci hors service et protégez le contre une remise en service par inadvertance.
- **Prenez des mesures de sécurité pour les restes de fluides se trouvant dans les transmetteurs de pression démontés. Ces restes de fluides peuvent mettre en danger les personnes, l'environnement ainsi que l'installation !**
- Ne faites effectuer les réparations que par le fabricant.
- Ouvrez le circuit avant d'enlever le connecteur / le couvercle.

Les données relatives à la résistance à la corrosion et diffusion des instruments se trouvent dans le manuel WIKA sur la mesure des pressions et des températures.

2121468.11 GB/D/F/E 02/2010

## 6. Emballage

### Est-ce que la livraison est complète ?



Contrôlez le volume de la livraison:

- Sonde de niveau complets
- Examinez le transmetteur de pression en vue de dommages éventuels résultant du transport. Si des dommages sont évidents, veuillez en informer immédiatement l'entreprise de transport et WIKA.
- Conservez l'emballage, celui-ci offre lors d'un transport une protection optimale (par exemple changement du lieu d'utilisation, renvoi pour réparation).
- Veillez à ce que les contacts de branchement ne soient pas détériorés.

## 7. Mise en service, exploitation

### Pour votre sécurité contrôler la membrane

Il est nécessaire que, avant la mise en service de transmetteur de pression, vous contrôlez la membrane, car celle-ci est une **pièce élémentaire de sécurité**.



### Avertissement

- Surveillez les fuites de liquide, celles-ci pouvant indiquer une membrane endommagée.
- N'utilisez le transmetteur de pression que si la membrane est intacte.
- Utilisez le transmetteur de pression uniquement s'il est dans un état parfait quant à la sécurité technique.

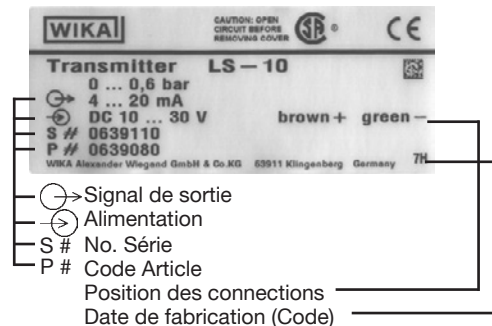
2121468.11 GB/D/F/E 02/2010



## Montage du raccord



## Plaque de fabrication (exemple)



- Aucun autre dispositif ne sera nécessaire sachant que la force de rupture du câble se situe autour de 1000N (500 N avec FEP).
- Le bouchon de protection (A) est vissé à l'extrémité de la sonde afin d'en protéger la membrane (B) lors du transport et l'immersion. Il est recommandé de l'enlever dans les liquides visqueux ou contaminés.

## Montage branchement électrique



- Utilisez la sonde de niveau avec un câble blindé et mettez-le à la terre au moins d'un côté si la longueur du câble dépasse 30 m (système à 2 fils) ou dépasse 3 m (système à 3 ou 4 fils) ou si vous sortez le câble d'un bâtiment.
- Utilisez uniquement des sources de courant qui garantissent une séparation électrique sûre de la tension de service conformément à la norme IEC/DIN EN 60204-1. Tenez compte également des exigences générales concernant les circuits électriques PELV conformément aux normes IEC/DIN EN 60204-1. Ou pour l'Amérique du Nord: Le raccordement peut aussi s'effectuer sur « Class 2 Circuits » ou « Class 2 Power Units » selon CEC ( Canadian Electrical Code) ou NEC (National Electrical Code).
- Si le blindage du câble est utilisé, il ne doit pas exister une différence de potentiel entre le fluide/réceptier et la liaison à la terre de la fiche de branchement ou de l'armoire électrique.

2121468.11 GB/D/F/E 02/2010



- Protection IP 68 selon IEC 60 529.
- En cas d'utilisation de sorties par câble, veuillez vous assurer qu'aucune humidité ne puisse entrer à la sortie du câble.



Alimentation



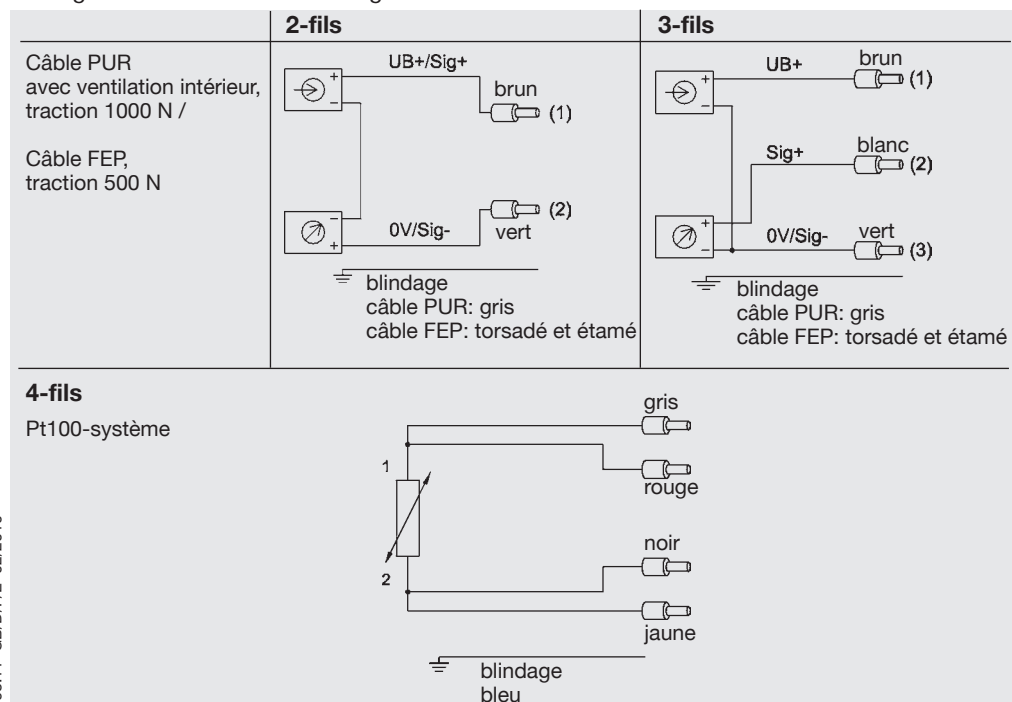
Récepteur

UB+/Sig+

Alimentation positive / raccord mesure

0V/Sig-

Alimentation négative / raccord mesure



2121468.11 GB/D/F/E 02/2010

## Données techniques Type LS-10/LH-10

Etendue de mesure														
LS-10 et {LH-10 avec câble FEP}	bar <sup>1)</sup>	0,25	0,4	0,6	1	1,6	2,5	4	6	10				
Limites de surcharge	bar <sup>1)</sup>	2	2	4	5	10	10	10	10	10				
Pression de destruction	bar <sup>1)</sup>	2,4	2,4	4,8	6	12	12	12	12	12				
Etendue de mesure														
LH-10 avec câble PUR	bar <sup>1)</sup>	0,1	0,16	0,25	0,4	6	1	1,6	2,5	4	6	10	16	25
Limites de surcharge	bar <sup>1)</sup>	1	1,5	2	2	4	5	10	10	17	35	35	35	35
Pression de destruction	bar <sup>1)</sup>	2	2	4	2,4	4,8	6	12	12	20,5	42	42	42	42

<sup>1)</sup> 1 bar = 10,2 mWWS

Matériaux		Type LS-10	Type LH-10
■ Parties en contact avec le fluide		Acier inox	Acier inox {Hastelloy}
■ Raccord de pression/Membrane		Acier inox	Acier inox {Hastelloy}
■ Capuchon		PA	PA {Acier inox} {Hastelloy}
■ Câble		PUR	PUR {FEP}
Alimentation UB	UB en VDC	10 < UB ≤ 30	10 < UB ≤ 30
			(14 ... 30 avec signal de sortie 0 ... 10 V)
			(5 ... 30 sur batterie, sortie 0,5 ... 4,5 V
Signal de sortie		4 ... 20 mA, 2-fils	4 ... 20 mA, 2-fils
			0 ... 20 mA, 3-fils
			{0 ... 5 V, 3-fils}
			{0 ... 10 V, 3-fils}
			{0,5 ... 4,5 V, 3-fils, avec batterie} <sup>2)</sup>
			{Pt 100, 4-fils; IEC 60751}

<sup>2)</sup> Pour l'étendue de mesure ≥ 0 ... 0,25 bar

## Données techniques Type LS-10/LH-10

Pt 100 » uniquement Type LH-10			
■ I maxi	mA	-	3
■ I mesure	mA	-	1
Résistance charge max autorisée RA	RA en Ohm		
■ Courant sortie maxi.	UB en Volt	RA ≤ (UB - 10 V) / 0,02 A - (0,14 Ohm x longueur du câble en m)	
■ Tension sortie maxi.		-	RA > 100 kOhm
Tension d'isolement	VDC	500 <sup>3)</sup>	500 <sup>3)</sup>
		<sup>3)</sup> Tension d'alimentation selon NEC Class 02 (basse tension et courant maxi 100 VA également en situation d'erreur).	
Précision	% du gain	≤ 0,5 <sup>4)</sup>	≤ 0,25 <sup>4)</sup> (≤ 0,5 pour étendue de mesure < 0,25 bar)
		<sup>4)</sup> Inclusif non-linéarité, hystérésis, zéro et déviation de l'étendue de mesure (correspond à l'erreur de mesure selon IEC 61298-2). Calibré en position verticale, raccord de pression vers le bas.	
Non-linéarité	% du gain	≤ 0,2 (Réglage de la plage de tolérance, BFSL) selon IEC 61298-2	
Non-répétabilité	% du gain	≤ 0,1	
Stabilité sur un an	% du gain	≤ 0,2 (pour les conditions de référence)	
Température autorisée			
Du fluide <sup>5)</sup>	°C	-10 ... +50	-10 ... +50
	°C		{-10 ... +85 câble FEP en option}
De stockage <sup>5)</sup>	°C	-30 ... +80	-30 ... +80
		<sup>5)</sup> Accomplit également EN 50178, tableau 7, utilisation (C) 4K4H, stockage (D) 1K4, transport (E) 2K3	
Plage compensée	°C	0 ... +50	0 ... +50
Coefficient de température sur plage compensée			
■ Coef. de temp. moy. du point 0	% du gain	≤ 0,2 / 10 K (< 0,4 pour étendue de mesure ≤ 250 mbar)	
■ Coef. de temp. moy.	% du gain	≤ 0,2 / 10 K	≤ 0,2 / 10 K

**Données techniques** Type LS-10/LH-10

Conformité -CE			
■ CEM-Directive		2004/108/EG, Emission de perturbations (group 1, classe B) et résistance aux perturbations	
Protection électrique			
■ Résistance au court-circuit		Sig+ contre UB-	
■ Protection fausse polarité		UB+ contre UB-	
			{Protection anti-foudre EN 61000-4-5; 1,5J}
Poids			
■ Sonde	kg	Environ 0,18	Environ 0,20
■ Câble	kg/m	Environ 0,08	Environ 0,08
■ Lest	kg	Environ 0,50	Environ 0,50

{ } Les données entre accolades précisent les options disponibles contre supplément de prix.

**Vérification du fonctionnement**

**i** Le signal de sortie doit se comporter proportionnellement à la pression présente. Si ce n'est pas le cas, ceci peut être une indication que la membrane est endommagée. Dans ce cas veuillez lire "élimination de perturbations" dans le chapitre 9.

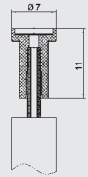
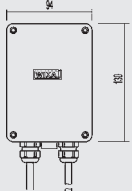
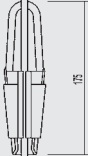
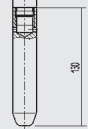
**⚠** **Avertissement** ■ Prenez en considération les paramètres de service selon le chapitre 7 "Caractéristiques techniques".  
■ N'utilisez le transmetteur de pression qu'à l'intérieur de la zone limite de surcharge!

**8. Entretien, accessoires**

**i** ■ Les transmetteurs WIKA ne demandent aucune maintenance.  
■ Ne faites effectuer les réparations que par le fabricant.

2121468.11 GB/D/F/E 02/2010

**Numéro de commande**

	71 93 131	Pour des utilisations dans des zones sales ou d'entrées d'eau, WIKA recommande de monter un Filtre sur l'extrémité du cathéter à travers un tuyau de serrage.
	24 59 686	Le Boîtier terminal optionnel IP 67 avec élément de ventilation devra être monté dans l'armoire technique ou dans tout autre zone sèche.
	20 74 257	Pour la fixation mécanique de la sonde, nous vous recommandons: La pince de fixation.
	15 24 399	Pour augmenter le poids de la sonde (environ 500 g), il suffit de visser un lest supplémentaire sur l'extrémité de la sonde.

2121468.11 GB/D/F/E 02/2010

## 9. Elimination de perturbations



**Avertissement**

- Prenez des mesures de sécurité pour les restes de fluides se trouvant dans les transmetteurs de pression démontés. Ces restes de fluides peuvent mettre en danger les personnes, l'environnement ainsi que l'installation !
- Si vous ne pouvez pas éliminer des dérangements sur le transmetteur de pression, mettez celui-ci hors service et protégez-le contre une remise en service par inadvertance.
- Ne faites effectuer les réparations que par le fabricant.



N'utilisez aucun objet pointu ou dur pour le nettoyage, car la membrane ne doit en aucun cas être endommagée.

Veillez contrôler au préalable si la pression est présente (vannes / robinets à boisseau sphérique, etc. ouvert) et si vous avez choisi la tension d'alimentation correcte et le système de câblage correspondant (2 fils / 3 fils / 4 fils).

Perturbations	Cause	Mesures à prendre
Gains du signal tombe / est trop faible	Endommagement de la membrane, par ex. par des coups, des fluides abrasifs / agressifs; corrosion sur la membrane / sur les raccords de pression; liquide de transmission manqué	Prendre contact avec le fabricant et remplacer l'appareil
Gain du signal tombe	Humidité s'est insinuée (par ex. à l'extrémité du câble)	Monter le câble correctement
Gain du signal fluctuant ou imprécis	Températures de service trop élevées / trop basses	Respecter les températures autorisées selon le mode d'emploi
Zéro du signal diverge	Température du fluide ou ambiante trop élevée / trop basse	Utiliser l'appareil à l'intérieur de la plage de température autorisée; tenir compte de l'erreur de température autorisée (voir le mode d'emploi)
	Endommagement de la membrane, par ex. par des coups, des fluides abrasifs / agressifs; corrosion sur la membrane / sur les raccords de pression	Remplacer l'appareil
	Températures de service trop élevées / trop basses	Respecter les températures autorisées selon le mode d'emploi

2121468.11 GB/D/FE 02/2010

Perturbations	Cause	Mesures à prendre
Zéro du signal instable / trop bas / trop haut	Humidité s'est insinuée (par ex. à l'extrémité du câble)	Monter le câble correctement, Poser un élément filtrant
Surface du boîtier brûlante	Température du fluide ou ambiante dépassée	Respecter la température autorisée d'ambiance / de fluide (voir mode d'emploi)

En cas de réclamation non justifiée, nous mettrons en facture les coûts de traitement de celle-ci.

\*) Contrôlez après le montage le fonctionnement correct du système. Au cas où l'erreur persiste, renvoyez l'appareil pour réparation (ou remplacez l'appareil).

Si un problème reste présent, veuillez prendre contact avec notre département commercial.

Certificat de matière de processus (déclaration de contamination en cas de réparation)

Veillez laver ou nettoyer les appareils démontés avant de les renvoyer afin de protéger nos employés et l'environnement des risques présentés par les résidus de fluide adhérents.

Un contrôle des appareils en panne ne peut être effectué de façon sûre que si la déclaration de contamination est complète. Cette déclaration comporte toutes les matières ayant été en contact avec l'appareil, également celles ayant été utilisées lors d'essais, en service ou lors du nettoyage. La "Product Return Form" peut être téléchargée de notre adresse Internet ([www.wika.de](http://www.wika.de) / [www.wika.com](http://www.wika.com))

## 10. Stockage, mise au rebut



**Avertissement**

Veillez prendre les précautions de sécurité pour la mise au rebut et pour le stockage des fluides se trouvant dans les transmetteurs de pression démontés. Nous recommandons un nettoyage approprié et méticuleux. Ces restes de fluides peuvent mettre en danger les personnes, environnement ainsi que l'installation !

### Stockage



Remontez le capuchon de protection lors du stockage de l'appareil afin d'éviter que la membrane ne soit endommagée.

### Mise au rebut



Mettez les composants des appareils et les emballages au rebut en respectant les prescriptions nationales pour le traitement et la mise au rebut des régions de livraison.

WIKA se réserve le droit de modifier les présentes spécifications.

## 1. Detalles importantes para su información

Lea estas instrucciones de servicio antes del montaje y puesta en servicio del transmisor de presión. Guarde las instrucciones de servicio en un lugar accesible a cualquier usuario en cualquier momento.

Las siguientes instrucciones de montaje y de servicio han sido redactadas cuidadosamente. Pero a pesar de ello no es posible tener en cuenta todos los casos de aplicación. Si echara en falta informaciones para su problemática específica, podrá obtener más información:

- A través de nuestra dirección de Internet [www.wika.de](http://www.wika.de) / [www.wika.com](http://www.wika.com)
- La designación de la ficha técnica correspondiente PE 81.09
- Asesores de utilización (+49) 9372/132-295

Para números de modelos especiales, p.ej. LS-10000 o LH-10000, tenga en cuenta las especificaciones según albarán de entrega.

Si el número de serie en el placa de identificación se vuela ilegible (p. ej. por daños mecánicos o sobrepintado) ya no es posible la posibilidad de seguimiento.

Los transmisores de presión WIKA descritos en las instrucciones de servicio son diseñados y fabricados conforme a los conocimientos más recientes. Todos los componentes están sometidos a unos estrictos criterios de calidad y medioambientales durante la fabricación. Nuestro sistema de gestión medioambiental posee la certificación según la norma DIN EN ISO 14001.

### Utilización del producto según el uso de destinación LS-10, LH-10

Utilice la sonda de nivel para convertir la presión hidrostática en una señal eléctrica.

**Conocimientos requeridos:** Instale y ponga en servicio el transmisor de presión sólo si está familiarizado con las regulaciones y directivas relevantes de su país y si posee la cualificación necesaria. Debe estar familiarizado con las reglas y las regulaciones de la tecnología de medición y control y los circuitos eléctricos, ya que el transmisor de presión es „equipo eléctrico“ definido por EN 50178. Según las condiciones de aplicación, debe poseer los conocimientos corres-pondientes de, p.ej. medios agresivos.

2121468.11 GB/D/F/E 02/2010

## 2. Resumen rápido para usted

Si quiere un resumen rápido, léase las **secciones 3, 5, 7 y 10**. Allí, encontrará instrucciones para su seguridad y importantes informaciones sobre su producto y la puesta en funcionamiento. **Es imprescindible leerlas.**

## 3. Signos, símbolos y abrevaciones



Advertencia

Peligro potencial para su vida o lesiones graves.



Nota, información importante, falla de funcionamiento.



El producto cumple con las directivas europeas respectivas.



CSA  
Canadian Standard Association  
El producto ha sido probado y certificado por parte de CSA International. Cumple las normas aplicables de seguridad de Canadá.  
Certificate-No.: 1360840.

- 2 hilos Dos conexiones sirven para la energía auxiliar. El corriente de alimentación es el señal de medición.
- 3 hilos Dos conexiones sirven para la energía auxiliar. Una conexión sirve para la señal de medición.
- 4 hilos Dos conexiones sirven para la energía auxiliar. Dos conexiones sirven para la señal de medición.

2121468.11 GB/D/F/E 02/2010

## 4. Función

LS-10: Sonda de nivel para mediciones de nivel universales, ejecución estándar.

LH-10: Sonda de nivel para mediciones de nivel universales, High Performance.

**Función:** Mediante un elemento sensor y el suministro de energía auxiliar, la presión hidrostática existente en su aplicación se convertirá en una señal eléctrica reforzada, estandarizada, a través de la deformación de una membrana. Esta señal eléctrica cambia de forma proporcional respecto de la presión hidrostática y puede ser evaluada respectivamente.

## 5. Para su seguridad



### Advertencia

- Seleccione el transmisor de presión adecuado con respecto al rango de medición, versión, condiciones de medición específicas antes de instalar o poner en servicio el instrumento.
- Observe el reglamento nacional relevante (p.ej. EN 50178) y, para aplicaciones especiales, tenga en cuenta las normas y directivas vigentes (p.ej. en medios de medición peligrosos tales, materias inflamables o tóxicas así como en instalaciones de refrigeración y compresores). **Si no se observan las prescripciones de seguridad, ¡eso puede tener consecuencias graves como lesiones físicas graves y daños materiales!**
- ¡Abrir las conexiones de presión sólo en estado sin presión!
- Hay que respetar los límites de sobrecarga del rango de medición correspondiente.
- Observe los parámetros de servicio según sección 7 „Datos técnicos“.
- Asegúrese de que se utilicen los instrumentos de acuerdo con su destinación, como descrito en las siguientes instrucciones.
- Abstenerse de intervenciones y modificaciones en el transmisor de presión no descritas en estas instrucciones de servicio.
- Ponga fuera de servicio el instrumento y protéjalo contra la puesta en servicio por error, si no puede eliminar las perturbaciones.

2121468.11 GB/D/F/E 02/2010



### Advertencia

- **¡Tome medidas de precaución en cuanto a residuos de medios de medición en transmisores de presión desmontados. Medios residuales pueden causar daños en personas, medio ambiente y equipo!**
- Sólo el fabricante puede efectuar reparaciones.
- Abra el circuito eléctrico antes de retirar el enchufe / la tapa.

Las especificaciones respecto a resistencia a la corrosión y indifusibilidad de los materiales de los instrumentos las encuentra en nuestro manual WIKA Medición de presión y de temperatura.

## 6. Embalaje

### ¿Se entregó todo?



Verifique el volumen del suministro:

- Transmisores de presión completos



- Rogamos revisen los equipos por eventuales daños que se hayan producido durante el transporte. Si detectara daños visibles, debe comunicarlo inmediatamente al transportista y a WIKA.
- Guárdese el embalaje ya que éste ofrece una protección ideal durante el transporte (p.ej. lugar de instalación cambiante, envío para revisión).
- Procure que los contactos de unión no resulten dañados.

## 7. Puesta en servicio, funcionamiento

### Control de la membrana para su seguridad

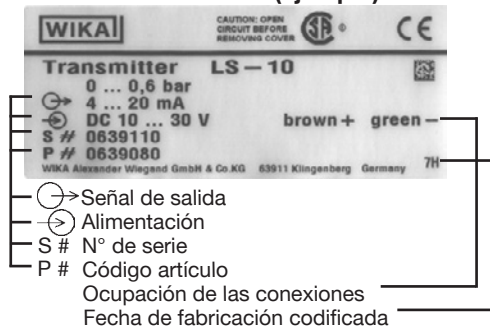
Es necesario que controle la membrana antes de la puesta en servicio del transmisor de presión, puesto que **es un componente relevante de seguridad**.



### Advertencia

- Asegúrese de que no se escape líquido siendo eso un indicio de un defecto de la membrana.
- Utilice el transmisor de presión sólo si la membrana es indemne.
- Utilice el transmisor de presión sólo si está en un estado impecable en razón de la seguridad.

2121468.11 GB/D/F/E 02/2010

**Montaje de la conexión mecánica****Placa de identificación (ejemplo)**

En principio es válido el número de serie en la placa de identificación. Si no se encuentra ningún número de serie en la placa de identificación, se tomará el número del hexágono.



- El cable de conexión tiene una fuerza de tracción máxima de 1000 N (500 N con FEP) de manera que se suprime una descarga de tracción adicional.
- La capa protectora (A) protege la membrana interior (B) de deterioro durante el transporte y al bajar de la sonda. Saque la capa protectora si el medio de medición está viscoso o ensuciado.

**Montaje de la conexión eléctrica**

- Utilice el transmisor de presión con un cable blindado y ponga a tierra el blindaje, como mínimo en un lado del cable, cuando los cables tengan una longitud superior a 30 m (conductor doble) o 3 m (conductor triple o cuádruple) o salgan al exterior del edificio.
  - Utilice exclusivamente fuentes de corriente que garanticen una desconexión electrónica segura de la tensión de servicio conforme a la IEC/DIN EN 60204-1. Preste también atención a las exigencias generales para circuitos PELV de conformidad con IEC/DIN EN 60204-1.
- Alternativa para América del Norte: La conexión puede efectuarse también en „Class 2 Circuits“ o „Class 2 Power Units“ según CEC (Canadian Electrical Code) o NEC (National Electrical Code).

2121468.11 GB/D/F/E 02/2010



- No deben existir diferencias de potenciales entre el medio o el recipiente y el enlace de la masa de la caja de conexión respectivamente el armario de distribución si el blindaje del cable está puesto a la masa.
- Modo de protección IP 68 según IEC 60 529.
- Asegúrese de que en las salidas de cables no entre ninguna humedad a la extremidad del cable.



Fuente de tensión



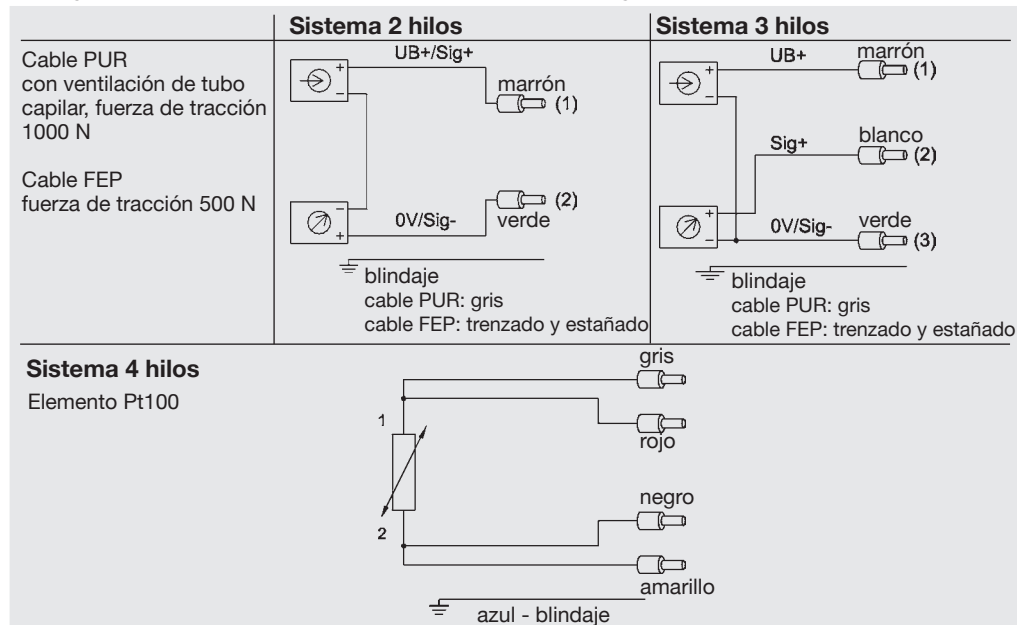
Consumidor

UB+/Sig+

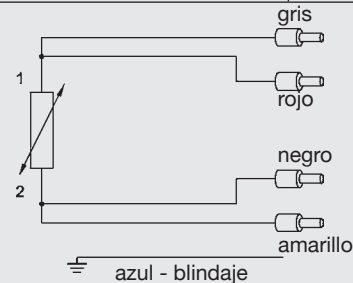
OV/Sig-

Conexión de alimentación/medición positiva

Conexión de alimentación/medición negativa

**Sistema 4 hilos**

Elemento Pt100



2121468.11 GB/D/F/E 02/2010

### Datos técnicos Tipo LS-10 / LH-10

Rango de medición Tipo LS-10 / {LH-10 FEP}	bar <sup>1)</sup>	0,25	0,4	0,6	1	1,6	2,5	4	6	10				
Límite de sobrecarga	bar <sup>1)</sup>	2	2	4	5	10	10	10	10	10				
Presión de rotura	bar <sup>1)</sup>	2,4	2,4	4,8	6	12	12	12	12	12				
Rango de medición Tipo LH-10 cable PUR	bar <sup>1)</sup>	0,1	0,16	0,25	0,4	0,6	1	1,6	2,5	4	6	10	16	25
Límite de sobrecarga	bar <sup>1)</sup>	1	1,5	2	2	4	5	10	10	17	35	35	35	35
Presión de rotura	bar <sup>1)</sup>	2	2	2,4	2,4	4,8	6	12	12	20,5	42	42	42	42

<sup>1)</sup> 1 bar corresponde a 10,2 metros

		Tipo LS-10	Tipo LH-10
Material			
■ Piezas en contacto con el medio		Acero CrNi	Acero CrNi {Hastelloy}
■ conexión de presión/ membrana		Acero CrNi	Acero CrNi {Hastelloy}
■ Capuchón protector		PA	PA {Acero CrNi} {Hastelloy}
■ Cable		PUR	PUR {FEP}
Energía auxiliar UB	UB en VDC	10 < UB ≤ 30	10 < UB ≤ 30 (14 ... 30 con salida 0 ... 10 V) (5 ... 30 en funcionamiento de batería, salida 0,5 ... 4,5 V)
Señal de salida		4 ... 20 mA, 2-hilos	4 ... 20 mA, 2-hilos 0 ... 20 mA, 3-hilos {0 ... 5 V, 3-hilos} {0 ... 10 V, 3-hilos} {0,5 ... 4,5 V, 3-hilos, en funcionamiento de batería} <sup>2)</sup> {Pt100, 4-hilos; IEC 60751}
			<sup>2)</sup> Rango de medición ≥ 0,25 bar

2121468.11 GB/D/F/E 02/2010

### Datos técnicos Tipo LS-10 / LH-10

Pt100 » solamente Tipo LH-10			
■ Imáx	mA	-	3
■ lmed	mA	-	1
Carga máx. admisible RA	RA en Ohm		
■ salida de corriente	UB en VDC	RA ≤ (UB - 10 V) / 0,02 A - (0,14 Ohm x cable en m)	
■ salida de tensión		-	RA > 100 kOhm
Tensión de aislamiento	VDC	500 <sup>3)</sup>	500 <sup>3)</sup>
		<sup>3)</sup> NEC Class 02 energía auxilair (límite de potencia máx. 100 VA también en condición de error)	
Precisión	% del rango	≤ 0,5 <sup>4)</sup>	≤ 0,25 <sup>4)</sup> (≤ 0,5 en rango de medición < 0,25 bar)
		<sup>4)</sup> No-Linealidad, histéresis y error de punto cero y span incluidas (correspondiente al error de medición según IEC 61298-2). Ajuste con posición vertical de instalación, conexión de presión hacia abajo.	
No-Linealidad	% del rango	≤ 0,2 (BFSL) conforme a IEC 61298-2	
No-repetibilidad	% del rango	≤ 0,1	
Estabilidad al año	% del rango	≤ 0,2 (con condiciones de referencia)	
Rangos de temperatura admisibles			
Medio <sup>5)</sup>	°C	-10 ... +50	-10 ... +50 {-10 ... +85 en opción FEP}
Almacenamiento <sup>5)</sup>	°C	-30 ... +80	-30 ... +80
		<sup>5)</sup> Cumple también con EN 50178, tabla 7, Funcionamiento (C) 4K4H, Transport (E) 2K3, Almacenaje (D) 1K4, Transporte (E) 2K3	
Rango de temperatura compensado	°C	0 ... +50	0 ... +50
Coefficientes de temperatura en el rango de temperatura compensado			
■ CT medio del punto cero	% del rango	≤ 0,2 / 10 K (< 0,4 para rangos de medición ≤ 250 mbar)	
■ CT medio del rango	% del rango	≤ 0,2 / 10 K	

2121468.11 GB/D/F/E 02/2010



**Datos técnicos** Tipo LS-10 / LH-10

CE- Indicativo			
■ CEM-Directiva		2004/108/EG, EN 61326 Emisión (grupo 1, clase B) y resistencia (sector industrial)	
Tipos de protección eléctrica			
■ Resistencia a cortocircuitos		Sig+ contra UB-	
■ Protección contra polaridad inversa		UB+ contra UB-	
			{protección contra los rayos EN 61000-4-5; 1,5J}
Peso			
■ Sonda de nivel	kg	Aprox. 0,18	Aprox. 0,20
■ Cable	kg/m	Aprox. 0,08	Aprox. 0,08
■ peso adicional	kg	Aprox. 0,50	Aprox. 0,50

{ } Datos entre corchetes describen las especialidades que se pueden suministrar por un precio adicional.

**Prueba de funcionamiento**

La señal de salida debe ser proporcional a la presión. Si no lo es, eso podría ser un indicio de un deterioro de la membrana. Léase en este caso en la sección 9 „Eliminación de perturbaciones“.

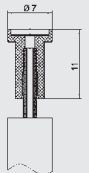
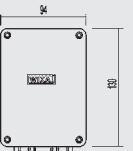

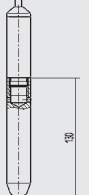
**Advertencia**

- Tenga en cuenta los parámetros de servicio según sección 7 „Datos técnicos“.
- ¡Respete el límite de sobrecarga del rango de medición respectivo!

**8. Mantenimiento, accessorios**

- ¡Los transmisores WIKA están libres de mantenimiento!
- Sólo el fabricante puede efectuar reparaciones.

**Order-No.**

	71 93 131	Para prevenir un ensuciamiento y la entrada de agua en el tubo capilar para la compensación de presión, WIKA ofrece en opción un elemento filtrador para automontaje.
	24 59 686	Se instala la caja de cable opcional, tipo de protección IP 67, con elemento de aireación al exterior de chimeneas y recipientes o directamente en el armario de distribución en un ambiente seco.
	20 74 257	Para la fijación mecánica de la sonda, ofrecemos en opción un borne de retención de cable.
	15 24 399	Para aumentar el peso propio de la sonda de nivel se puede atornillar un peso adicional (aprox. 500 g).

## 9. Eliminación de perturbaciones



**Advertencia**

- ¡Tome medidas de precaución en cuanto a residuos de medios de medición en transmisores de presión desmontados. Medios residuales pueden causar daños en personas, medio ambiente y equipo!
- Ponga fuera de servicio el instrumento y protéjalo contra la puesta en servicio por error, si no puede eliminar perturbaciones.
- Sólo el fabricante es autorizado para efectuar reparaciones.



Para no dañar las membranas, no utilizar para la limpieza objetos puntiagudos ni duros.

Compruebe previamente si hay presión (válvulas/llave esférica, etc. abiertas), y si ha elegido la fuente de tensión correcta y el tipo de cableado correspondiente (2 hilos/3 hilos/4 hilos).

Avería	Posible causa	Medida
Señal cae o demasiado baja	Deterioro de membrana, p. ej. por golpes, medio abrasivo/agresivo; corrosión en membrana/racor de presión; falta el medio de transmisión	Contactar con el fabricante y cambiar el instrumento
Alcance de la señal cae	Penetración de humedad (p. ej. en el extremo del cable)	Instalar correctamente el cable
Alcance de la señal inconstante	Temperaturas de aplicación altas/bajas	Observar temperaturas admisibles según instrucciones de uso
Desviación de la señal del cero	Temperatura del medio o ambiental demasiado alta/baja	Accionar instrumento dentro del rango de temperatura; observar error de temperatura admisible (véase instrucciones de uso)
	Deterioro de la membrana, p.ej. por golpes, medios abrasivo/agresivo; corrosión en membrana/racor de presión	Cambiar el aparato
	Temperaturas de aplicación altas/bajas	Observar temperaturas admisibles según instrucciones de uso
Señal del cero inestable/demasiado baja /alta	Penetración de humedad (p.ej. en el extremo del cable)	Montar cable correctamente, Poner un elemento filtrador

2121468.11 GB/D/FE 02/2010

Avería	Posible causa	Medida
Superficie del instrumento caliente	Temperatura ambiental/del medio sobrepasada	Observar temperaturas del medio/ambiental (véase instrucciones de uso)
Sin señal de salida	Sin o falsa tensión de alimentación o golpe de corriente	Corregir tensión de alimentación según instrucciones de servicio *)

En caso de reclamación sin justificación alguna, tendrá que abonar los costes de tramitación de la reclamación.

\*) Tras el montaje, compruebe el funcionamiento correcto del sistema. Si el error persiste, envíe el aparato a reparar (o reemplácelo).

Si el problema perdura, póngase en contacto con nuestro departamento de venta.

**Certificado de process material** (declaración de contaminación en caso de asistencia técnica): Fregue / limpie los instrumentos desmontados antes de la devolución a la fábrica, con el fin de proteger a nuestros empleados y al medio ambiente de los peligros ocasionado por los residuos de medios de medición adheridos. Una revisión de instrumentos con avería sólo se puede efectuar seguramente, si se ha presentado una declaración de contaminación completamente llenada. Tal declaración contiene informaciones sobre todos materiales en contacto con el instrumento hasta los que se utilizaban por fines de prueba, funcionamiento o limpieza. La declaración de contaminación es disponible a través de nuestra página web ([www.wika.de](http://www.wika.de) / [www.wika.com](http://www.wika.com)).

## 10. Almacenaje, eliminación de desechos



**Advertencia**

Al almacenar los instrumentos o eliminar los desechos tome medidas de precaución en cuanto a residuos de medios de medición en transmisores de presión desmontados. Recomendamos que la limpieza se realice de forma adecuada y cuidadosa. Medios residuales pueden causar daños en personas, medio ambiente y equipo.



**Almacenaje:** Al almacenaje del transmisor de presión hay que montar el capuchón de protección para no deteriorar la membrana.



**Eliminación de los desechos:** Elimine los desechos de componentes de instrumentos y materiales de embalaje según el reglamento respectivo del tratamiento de residuos y eliminación de desechos de la región o del país donde el instrumento se ha suministrado.

WIKA se reserva el derecho de modificar las especificaciones detalladas.

# WIKA Global

<b>Argentina</b>	WIKA Argentina S.A. Phone: (+54) 11/47 30 18 00 E-Mail: info@wika.com.ar	<b>Korea</b>	WIKA Korea Ltd. Phone: (+82) 2/8 69 05 05 E-Mail: info@wika.co.kr
<b>Australia</b>	WIKA Australia Pty. Ltd. Phone: (+61) 2-88 45 52 22 E-Mail: sales@wika.com.au	<b>Malaysia</b>	WIKA Instrumentation (M) Sdn. Bhd. Phone: (+60) 3 56 36/88 58 E-Mail: info@wika.com.my
<b>Austria</b>	WIKA Messgerätevertrieb Ursula Wiegand GmbH & Co. KG Phone: (+43) 1/8 69 16 31 E-Mail: info@wika.at	<b>Poland</b>	WIKA Polska S.A. Phone: (+48) 54 230 11 00 E-Mail: info@manometry.com.pl
<b>Benelux Netherlands</b>	WIKA Benelux Phone: (+31) 4 75/53 55 00 E-Mail: info@wika.nl	<b>Russia</b>	ZAO „WIKA MERA“ Phone: (+7) 495 - 648 01 80 E-Mail: info@wika.ru
<b>Brazil</b>	WIKA do Brasil Ind. e Com. Ltda. Phone: (+55) 15-32 66 16 55 E-Mail: marketing@wika.com.br	<b>Singapore</b>	WIKA Instrumentation Pte. Ltd. Phone: (+65) 68 44 55 06 info@wika.com.sg
<b>Canada</b>	WIKA Instruments Ltd. Phone: (+1) 780/463-7035 E-Mail: info@wika.ca	<b>South Africa</b>	WIKA Instruments (Pty.) Ltd. Phone: (+27) 11/6 21 00 00 E-Mail: sales@wika.co.za
<b>China</b>	WIKA International Trading (Shanghai) Co., Ltd. Phone: (+86) 21 53 85 25 73 E-Mail: wikash@online.sh.cn	<b>Spain</b>	Instrumentos WIKA S.A. Phone: (+34) 902 902 577 E-Mail: info@wika.es
<b>France</b>	WIKA Instruments s.a.r.l. Phone: (+33) 1/34 30 84 84 E-Mail: info@wika.fr	<b>Switzerland</b>	MANOMETER AG Phone: (+41) 41/9 19 72 72 E-Mail: info@manometer.ch
<b>Germany</b>	WIKA Alexander Wiegand SE & Co. KG Phone: (+49) 93 72/13 20 E-Mail: info@wika.de	<b>Taiwan</b>	WIKA Instrumentation Taiwan Ltd. Phone: (+886) 34 20 60 52 E-Mail: info@wika.com.tw
<b>India</b>	WIKA Instruments India Pvt. Ltd. Phone: (+91) 20/ 27 05 29 01 E-Mail: sales@wika.co.in	<b>Ukraine</b>	WIKA Pribor GmbH Phone: (+38) 062 345 34 16 E-mail: info@wika.donetsk.ua
<b>Italy</b>	WIKA Italiana SRL Phone: (+39) 02/93 86 11 E-Mail: info@wika.it	<b>United Arab Emirates</b>	WIKA Middle East FZE Phone: (+971) 4/883 90 90 E-Mail: wikame@emirates.net.ae
<b>Japan</b>	WIKA JAPAN K. K. Phone: (+81) 3/54 39-66 73 E-Mail: t-shimane@wika.co.jp	<b>United Kingdom</b>	WIKA Instruments Ltd Phone: (+44) 1737 644 008 E-Mail: info@wika.co.uk
		<b>U.S.A.</b>	WIKA Instrument Corporation Phone: (+1) 770 / 5 13 82 00 E-Mail: info@wika.com



Further WIKA subsidiaries worldwide can be found online at [www.wika.de](http://www.wika.de)  
Weitere WIKA Niederlassungen weltweit finden Sie online unter [www.wika.de](http://www.wika.de)  
La liste des autres filiales WIKA dans le monde se trouve sur [www.wika.de](http://www.wika.de)  
Otras sucursales WIKA en todo el mundo puede encontrar en [www.wika.de](http://www.wika.de)